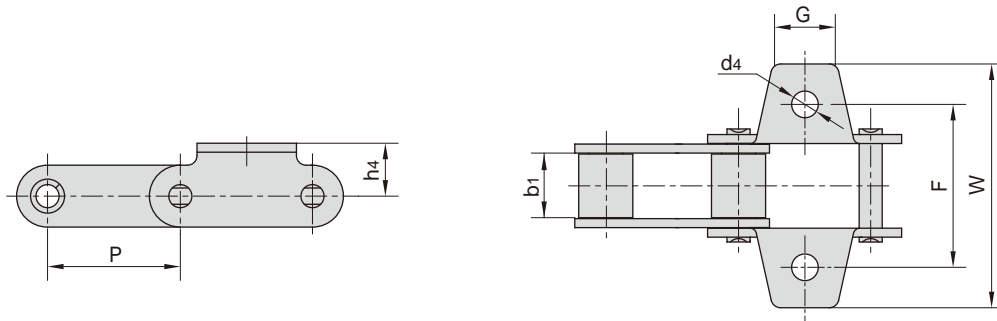
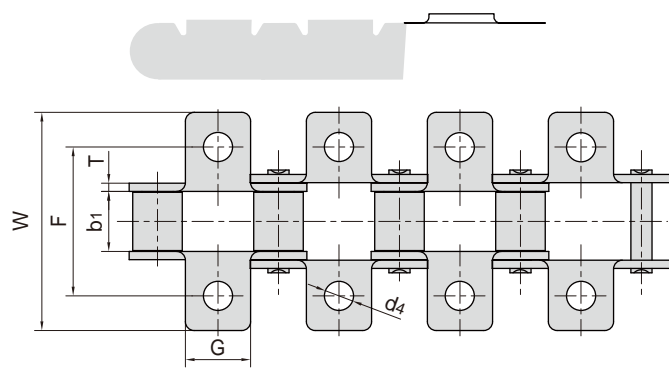
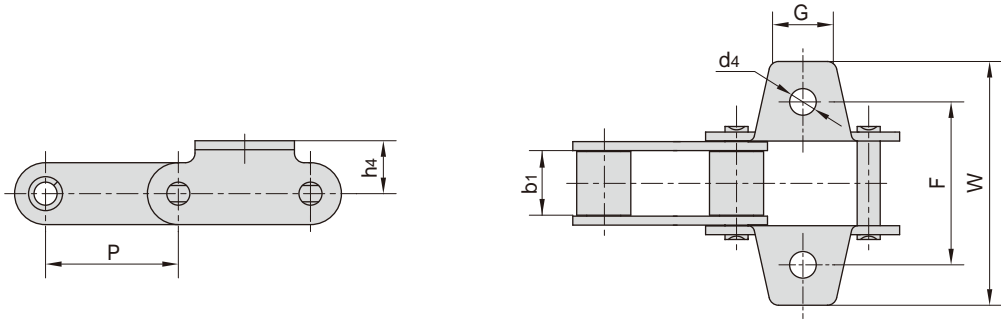


C CA

C type and CA type steel agricultural chain attachments



东华链号 Donghua Chain No.	P	b <sub>1</sub>	G	F	W	h <sub>4</sub>	d <sub>4</sub>
	mm	mm	mm	mm	mm	mm	mm
38.4RK1F1	38.4	19.05	22.00	58.0	83.00	15.4	9.00
38.4RK1F2	38.4	19.05	22.00	57.5	82.00	16.0	9.00
38.4RK1F3	38.4	19.05	20.00	58.0	84.40	15.5	8.50
38.4RK1F4	38.4	19.05	20.00	57.0	75.00	16.0	8.50
38.4RK1F7	38.4	19.05	22.00	57.5	82.00	16.0	10.50
38.4RK1F8	38.4	19.05	20.30	57.0	78.00	16.0	8.60
38.4RK1F9	38.4	19.05	20.00	57.0	73.00	10.7	6.50
38.4RK1F10	38.4	19.05	20.00	57.0	78.00	16.0	8.50
38.4SHK1	38.4	19.00	20.00	57.0	75.00	16.0	8.60
38.4VF3K1	38.4	18.00	20.00	58.0	79.00	15.4	9.00
38.4VF3K1F2	38.4	18.00	20.00	57.5	79.00	15.4	8.50
38.4VK1	38.4	18.00	22.00	57.5	82.00	15.4	9.00
38.4VK1F6	38.4	18.00	22.00	56.8	74.80	16.3	8.50
38.4VK1F7	38.4	18.00	22.00	57.5	82.00	15.4	8.40
38.4VK1F9	38.4	18.00	22.00	56.8	82.00	16.3	8.70
C55VK1	41.4	22.23	23.00	58.0	75.60	15.0	9.00
C55VK1F1	41.4	22.23	30.00	58.0	76.00	16.0	9.00
CA550A29	41.4	19.81	22.23	50.8	71.40	12.7	9.92
CA550F5AK29M	41.4	20.24	26.20	50.8	75.40	16.5	10.24
CA550AK4F2	41.4	20.24	26.00	54.0	80.60	16.5	10.30
CA550F2	41.4	19.50	22.00	50.8	72.00	14.7	8.50
CA550F4K19	41.4	20.24	22.23	50.8	77.80	12.7	6.75
CA550AK29M	41.4	19.81	26.20	50.8	75.40	16.5	10.24
CA550F5K1	41.4	20.24	22.20	54.0	71.50	12.7	8.50
CA550F5K29F1	41.4	20.24	22.00	50.8	75.40	12.7	10.30
CA550K1F1	41.4	19.81	20.00	54.0	76.20	16.5	8.30
CA550K1F15	41.4	19.81	22.00	50.8	76.20	12.7	8.50
CA550K1F16	41.4	19.81	22.00	53.8	75.00	11.7	8.50
CA550K1F18	41.4	19.81	22.20	53.7	71.10	12.7	9.90

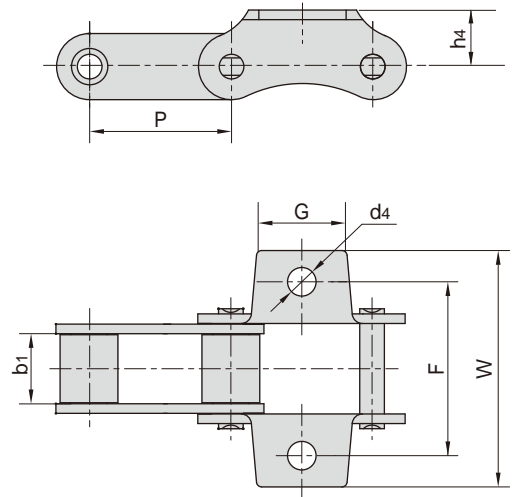




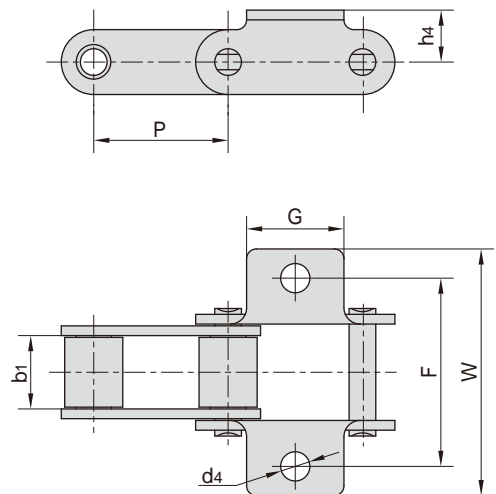


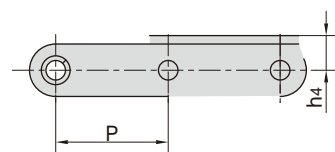
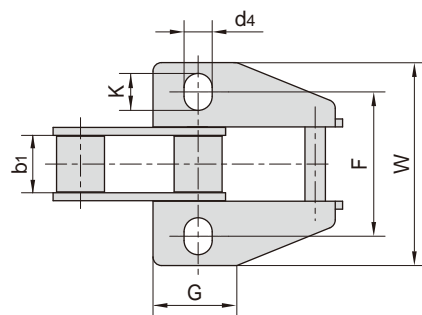
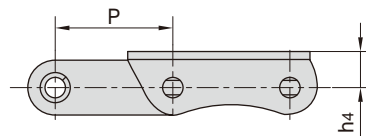
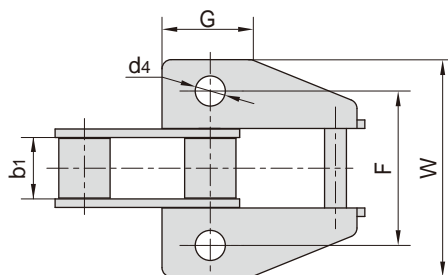
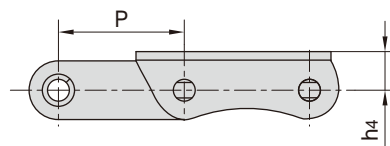
## C CA C type and CA type steel agricultural chain attachments

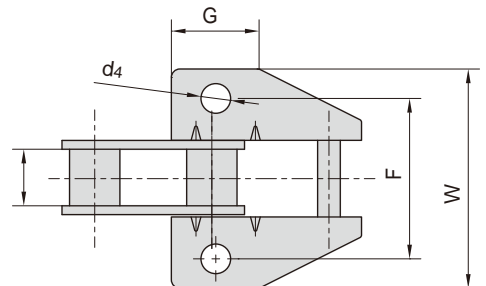
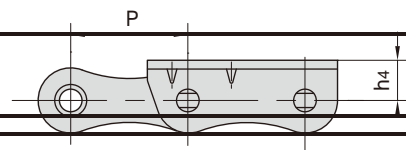
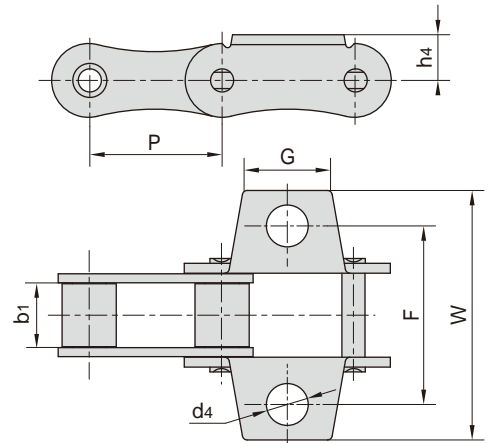
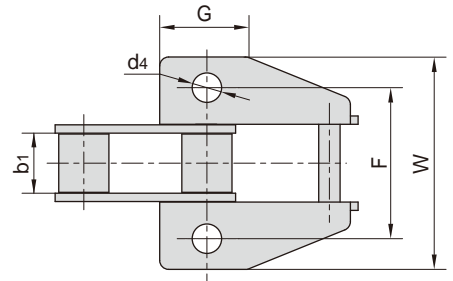
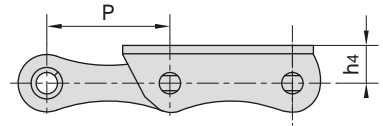
东华链号 Donghua Chain No.	P	b <sub>1</sub>	G	F	W	h <sub>4</sub>	d <sub>4</sub>
	mm	mm	mm	mm	mm	mm	mm
CA550F1	41.4	19.81	22.23	53.95	70.6	12.7	9.90
CA550F20K19	41.4	20.24	22.00	50.80	71.0	12.7	9.75
CA550K19F3	41.4	19.81	25.50	50.80	68.4	16.5	8.33
CA550K1F20	41.4	19.81	22.20	50.50	71.1	12.7	8.33
CA550VK19F1	41.4	19.05	25.50	50.80	67.8	16.5	8.33
CA557AK4	41.4	20.24	26.19	50.80	69.4	16.5	8.33
CA557AK4F1	41.4	20.24	26.00	53.50	80.6	16.5	10.70
CA557K1F9	41.4	20.24	21.00	55.00	78.5	17.4	10.00



东华链号 Donghua Chain No.	P	b <sub>1</sub>	G	F	W	h <sub>4</sub>	d <sub>4</sub>
	mm	mm	mm	mm	mm	mm	mm
CA2060A1F1	38.10	12.57	28.6	42.9	67.8	14.7	5.50
CA2060HA1F1	38.10	12.57	27.0	38.0	56.0	13.0	8.30
CA2060HK1F2	38.10	12.57	28.6	42.9	67.8	14.7	5.50
38.4VBF15K1	38.40	19.05	47.0	57.0	79.0	14.0	10.50
38.4VBK1F1	38.40	19.05	47.0	57.0	79.0	14.0	10.50
38.4VK1F12	38.40	18.85	47.0	58.0	77.0	11.8	8.50
55VDK1	41.40	23.00	30.0	58.0	76.0	16.0	9.0
CA550A1F5	41.40	19.81	38.1	74.6	105.6	12.7	10.3
CA557A1F1	41.40	20.24	38.1	74.6	105.6	12.7	10.3
CA557A1F3	41.40	20.24	38.1	75.5	107.4	15.9	10.30
CA557F5K1	41.40	20.24	38.1	54.2	78.3	16.5	10.50
CA557F9K1	41.40	20.24	45.0	54.2	78.3	16.5	10.50
CA557K1F5	41.40	20.24	27.0	50.0	75.0	17.7	8.5
CA557K1F8	41.40	20.24	28.6	50.6	73.6	14.3	9.92
S77F1K1	58.34	22.23	40.0	77.0	128.0	20.0	10.5
S77F2K1	58.34	22.23	40.0	77.0	132.0	25.0	10.5





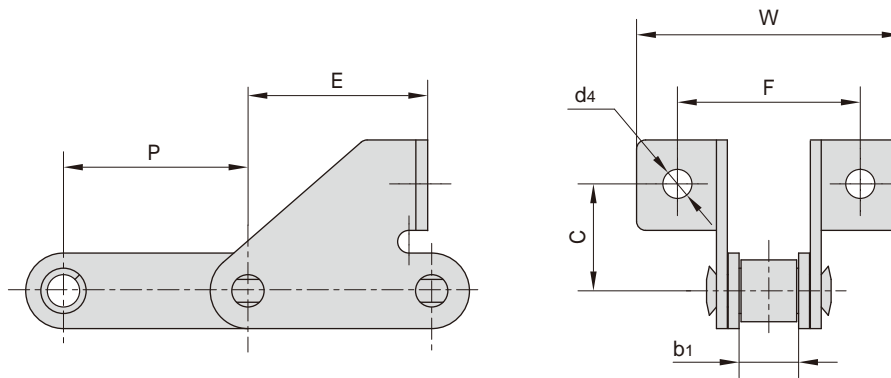




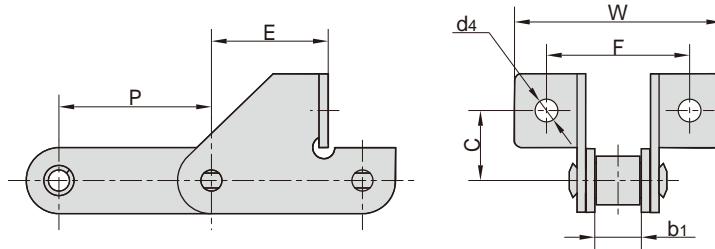


C CA

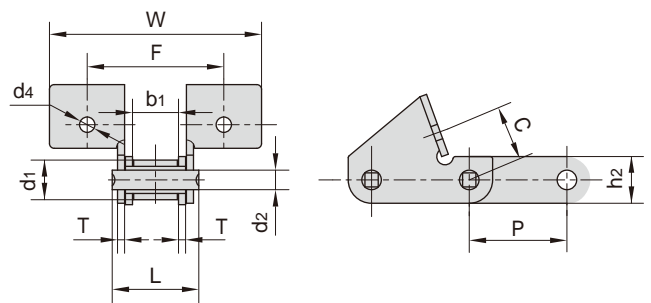
C type and CA type steel agricultural chain attachments

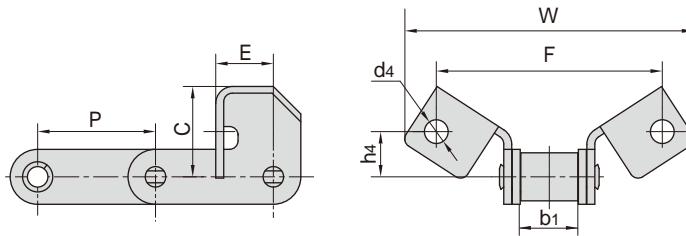


东华链号 Donghua Chain No.	P	b <sub>1</sub>	E	F	W	C	d <sub>4</sub>
	mm	mm	mm	mm	mm	mm	mm
38.4RSD	38.4	19.05	38.4	52.0	71.0	24.5	8.4
38.4RSDF1	38.4	19.05	38.4	52.0	70.0	24.5	8.4
38.4RSDF2	38.4	19.05	38.4	52.0	71.0	24.5	9.0
38.4RSDF3	38.4	19.05	38.2	52.0	72.0	24.0	8.4
38.4RSDF4	38.4	19.05	37.4	52.0	71.0	24.0	8.4
38.4RSDF5	38.4	19.05	35.9	60.0	79.0	24.0	6.4
38.4RSDF6	38.4	19.05	38.4	62.0	81.0	24.5	8.5
38.4RSDF7	38.4	19.05	38.4	60.0	81.0	24.5	8.4
38.4RSDF8	38.4	19.05	38.4	60.0	81.0	24.5	6.4
38.4RSDF10	38.4	19.05	38.4	52.0	71.0	24.5	8.4
38.4VBSD	38.4	19.05	38.4	52.0	71.0	25.0	8.4
38.4VBSD1	38.4	19.05	38.4	52.0	73.0	24.0	8.3
38.4VBSD2	38.4	19.05	38.4	52.0	73.0	24.0	8.4
38.4VBSD3	38.4	19.05	38.4	52.0	70.1	24.5	8.5
38.4VBSD4	38.4	19.05	38.2	52.0	72.0	24.0	8.4
38.4VBSD5	38.4	19.05	37.4	52.0	73.0	24.0	8.7
38.4VSD	38.4	18.00	38.4	52.0	71.0	24.0	8.4
CA550F5SDF1	41.4	20.24	36.9	47.6	68.2	31.0	8.7
CA550HSDF3	41.4	20.00	33.5	61.3	88.5	21.5	8.4
CA550SD	41.1	19.81	36.9	47.6	68.2	31.0	8.7
CA550SDF4	41.4	19.81	36.9	47.6	89.0	31.0	8.7
CA550SDF10	41.4	19.81	37.7	47.6	68.2	31.0	8.5

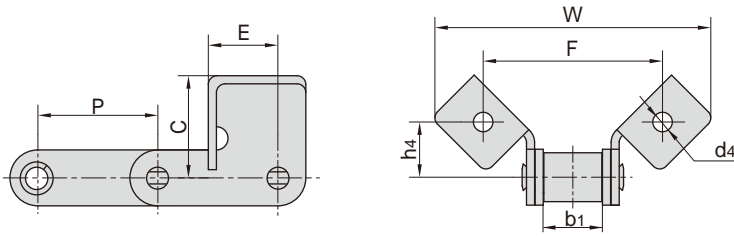


东华链号 Donghua Chain No.	P	b <sub>1</sub>	E	F	W	C	d <sub>4</sub>
	mm	mm	mm	mm	mm	mm	mm
CA550SDF1	41.4	19.81	35.0	58.0	85.0	20.5	8.5
CA550SDF2	41.4	19.81	32.5	62.0	84.0	20.0	8.6
CA550SDF3	41.4	19.81	35.0	58.0	85.0	20.5	6.5
CA550SDF6	41.4	19.81	33.0	58.0	85.0	20.5	6.5
CA550SDF7	41.4	19.81	32.5	62.0	89.0	20.0	8.6
CA550F5SD	41.1	20.24	33.0	57.8	83.5	20.0	6.7
CA550F8SD	41.4	19.81	33.0	58.0	85.9	20.5	6.5
CA550SDF5	41.4	19.81	34.0	63.0	89.0	20.0	8.0
CA550SDF11	41.4	19.81	31.0	58.0	85.0	20.5	8.5
CA550SDF12	41.4	19.81	31.0	58.0	85.0	20.5	6.5
CA550HSD	41.4	20.00	33.4	58.0	90.0	20.0	6.5
CA550VSD	41.4	19.05	35.0	58.0	88.6	20.5	6.5



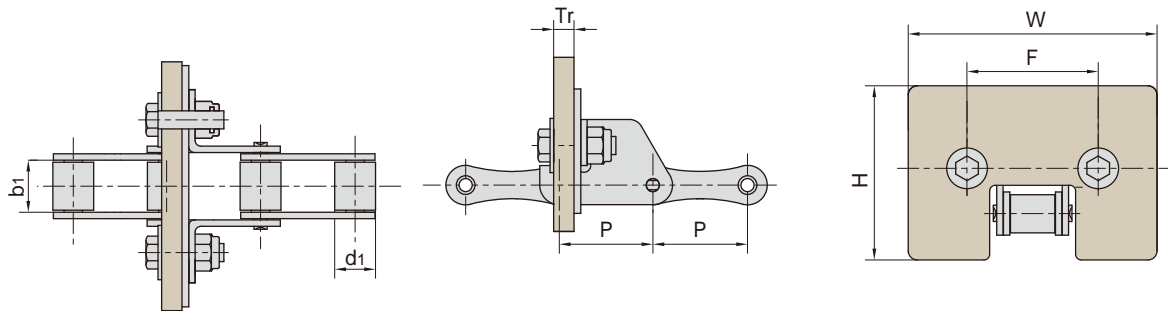


东华链号 Donghua Chain No.	mm		DA1 %g	bP	備俱qx逢m0	鋁U ' ( )	壺中0	崎抵C ' ( )	壺中102
CA550F14	41.4								
CA550F16	41.4								
			41.4		20.24	31.75	79.40	101.60	15.90
CA550F5-F14	41.4	20.24	20.24	31.75	79.40	101.60	15.90	8.33	
CA550F5-F14SF	41.4	20.24	21.34	31.75	79.40	101.60	15.90	9.91	
CA557F14	41.4	20.24	19.60	34.00	79.40	109.80	15.88	8.60	
CA557SFD	41.4	20.24	24.30	50.10	79.40	109.80	28.60	8.30	
CA557SFDF1	41.4	20.24	24.30	50.10	79.40	109.80	28.60	9.53	

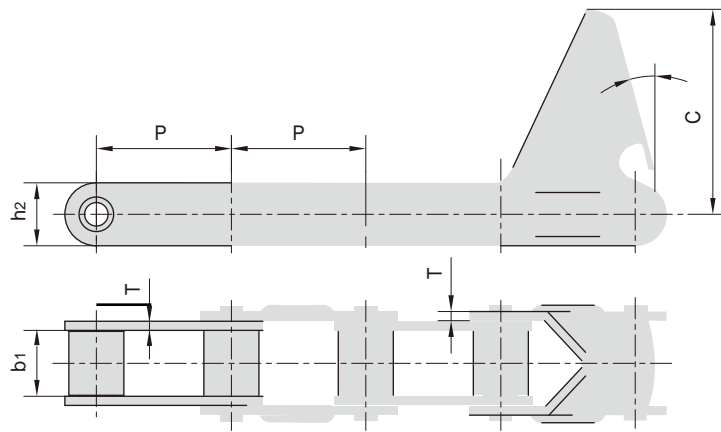
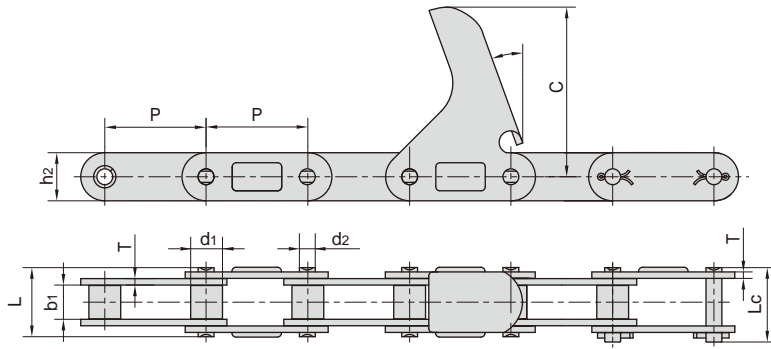


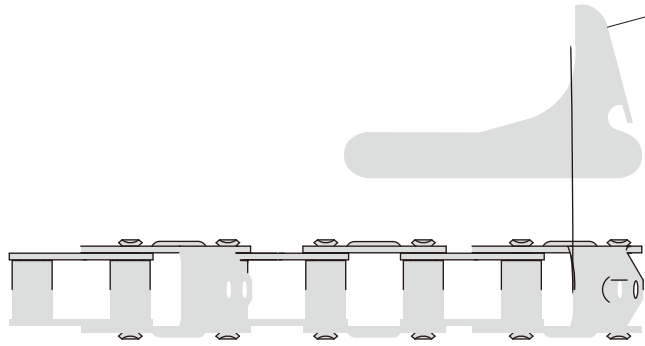
C CA

C type and CA type steel agricultural chain attachments



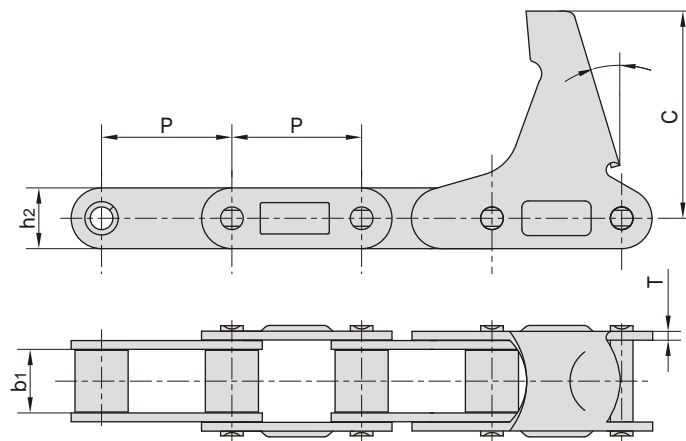
东华链号 Donghua Chain No.	节距	滚子直径	内节内宽	橡胶附板尺寸			
	Pitch	Roller diameter	Width between inner plates	Rubber attachment dimension			
	P	d1 max	b1 min	W max	H max	F	Tr
	mm	mm	mm	mm	mm	mm	mm
S52LF1SD-G	38.1	15.24	16.40	152.0	80.0	54.5	9.0
S52L-G	38.1	15.24	16.40	150.0	78.7	54.5	10.0
S55SDF2-G	38.1	15.24	22.23	107.0	84.0	57.6	10.0
38.4RSDF10-G	38.4	15.88	19.05	107.0	80.0	52.0	9.0
38.4RSD-G	38.4	15.88	19.05	154.0	78.0	52.0	9.0
38.4VBSDF2-G	38.4	15.88	19.05	154.0	124.0	52.0	9.0
38.4VSD-GF1	38.4	15.88	18.00	113.0	75.0	52.0	10.0
38.4VSD-GF2	38.4	15.88	18.00	150.0	95.0	52.0	10.0
CA550HF6-G	41.4	16.74	20.00	197.0	96.0	58.0	9.0
55VSE-G	41.4	17.90	22.23	200.0	100.0	88.0	10.0
55VSEL-GF1	41.4	17.90	22.23	145.0	109.0	88.0	10.0
CA550F14-G	41.4	16.87	19.81	152.0	79.0	79.4	9.0
CA550F14-GF1	41.4	16.87	19.81	145.0	105.0	79.4	11.0
CA550F14-GF2	41.4	16.87	19.81	145.0	105.0	79.4	9.0
CA550F14-GF3	41.4	16.87	19.81	152.0	79.0	79.4	9.0
CA550F17-G	41.4	16.87	19.81	190.0	96.0	114.3	12.0
CA550F5-F17-GF1	41.4	16.66	20.24	194.5	103.5	114.3	11.0
CA550HSDf3-G	41.4	16.74	20.00	149.0	74.0	61.3	10.0
CA550HSD-G	41.4	16.74	20.00	147.0	86.0	58.0	10.0
CA550SDF1-G	41.4	16.87	19.81	151.0	85.0	58.0	9.0
CA550SEF1-G	41.4	16.87	19.81	152.0	80.0	79.3	10.0
CA550VF14-G	41.4	16.80	19.05	142.9	79.4	79.4	12.7
CA550V-F15-G	41.4	16.80	19.05	247.0	130.0	134.1	11.0
CA550VF2SEF3-G	41.4	16.80	19.05	197.0	108.0	79.4	11.0
CA550VF2SEF3-GF1	41.4	16.80	19.05	224.0	122.5	79.4	11.5
CA550VF2SEL-G	41.4	16.80	19.05	224.0	122.5	79.4	11.0
S45HF3-G	41.4	15.24	22.23	123.0	74.0	61.3	9.0
S45HSDF1-G	41.4	15.24	22.23	165.0	100.0	63.5	9.0
S45SDF1-G	41.4	15.24	22.23	150.0	100.0	62.0	9.0
S45WF4-G	41.4	15.24	22.23	137.0	87.0	58.0	10.0
S55F2-G	41.4	17.78	22.23	114.0	98.0	58.0	10.0
S55F6-G	41.4	17.78	22.23	110.0	85.0	58.0	9.0
S55SDF2-G	41.4	17.78	22.23	147.6	85.0	58.0	10.0



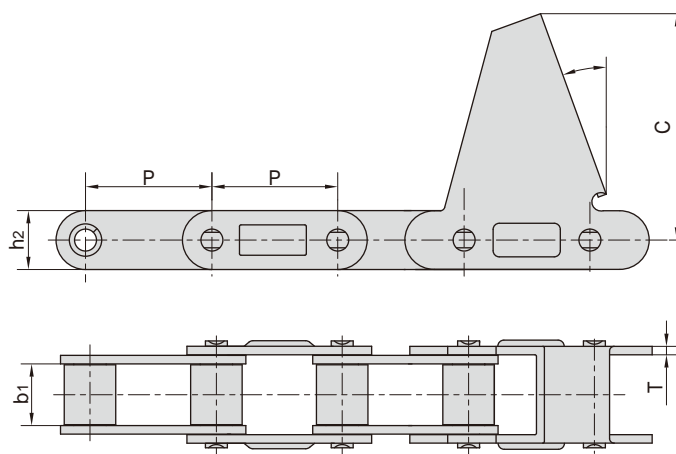


C CA

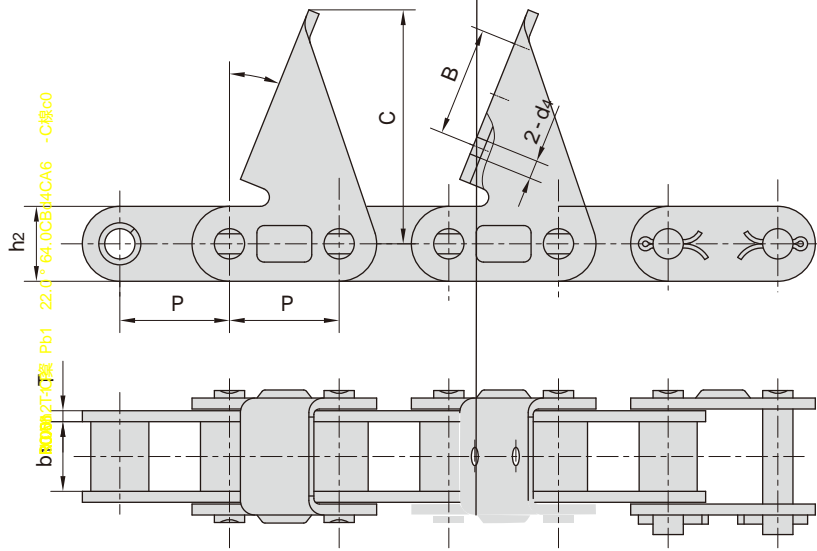
C type and CA type steel agricultural chain attachments



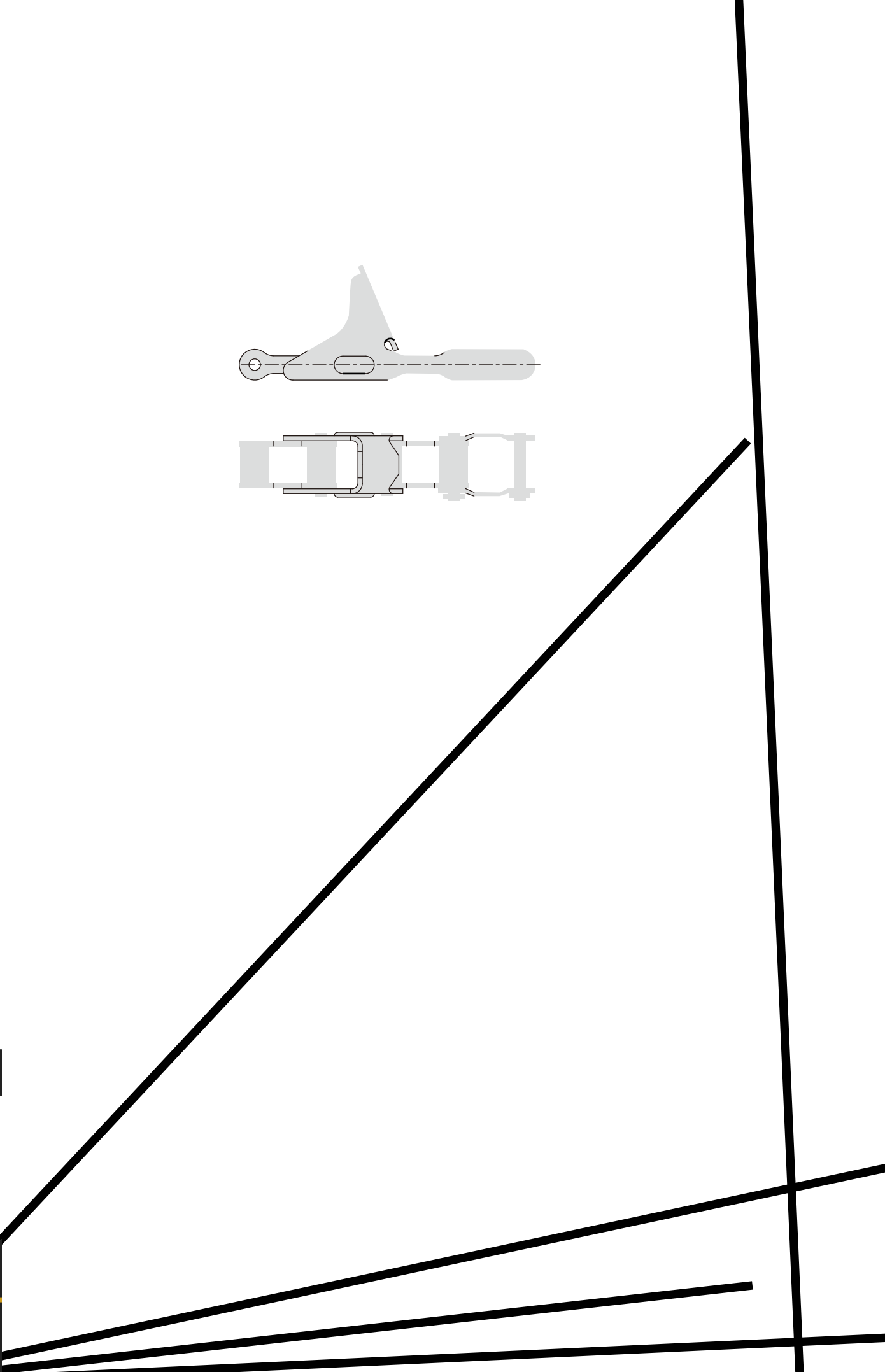
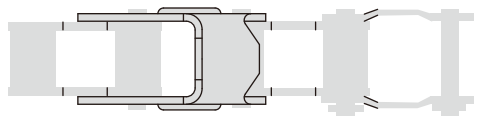
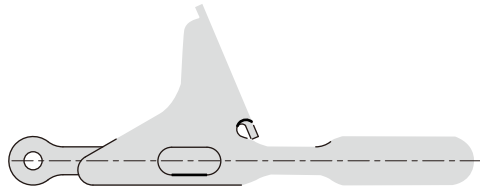
东华链号 Donghua Chain No.	P	b1	h2	T	C	
	mm	mm	mm	mm	mm	
CA550-LV41N	41.4	19.81	19.3	2.8	65.8	15 °
CA550-LV41NF1	41.4	19.81	19.3	2.8	68.5	20 °
CA550-CPEF3	41.4	19.81	19.3	2.8	72.0	15 °
CA550-CPEF6	41.4	19.81	19.3	3.0	54.8	15 °

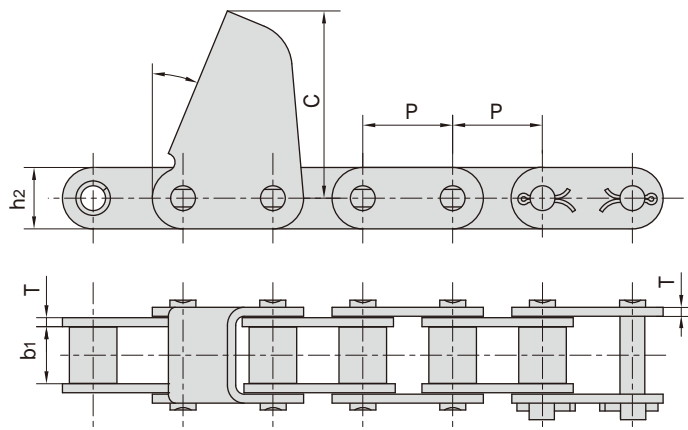


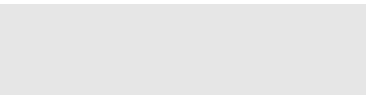
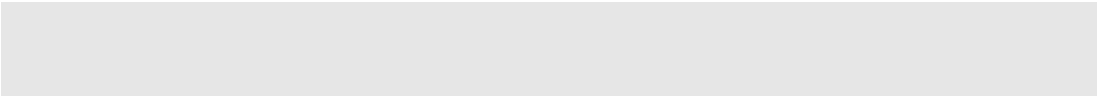
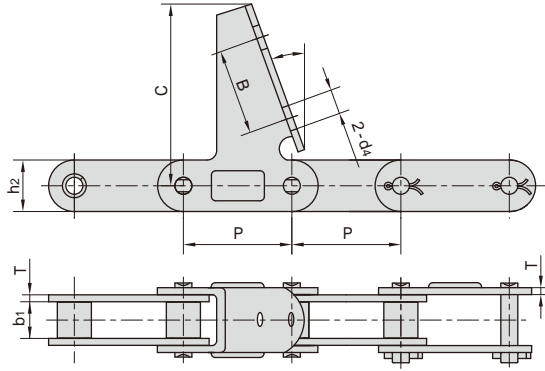
东华链号 Donghua Chain No.	P	b1	h2	T	C	
	mm	mm	mm	mm	mm	
38.4VBF12	38.4	19.05	20.5	3.0	62.5	22.5 °
38.4VBF14	38.4	19.05	20.5	3.0	65.0	22.0 °
CA550-CPE	41.4	19.81	19.3	2.8	74.5	20.0 °



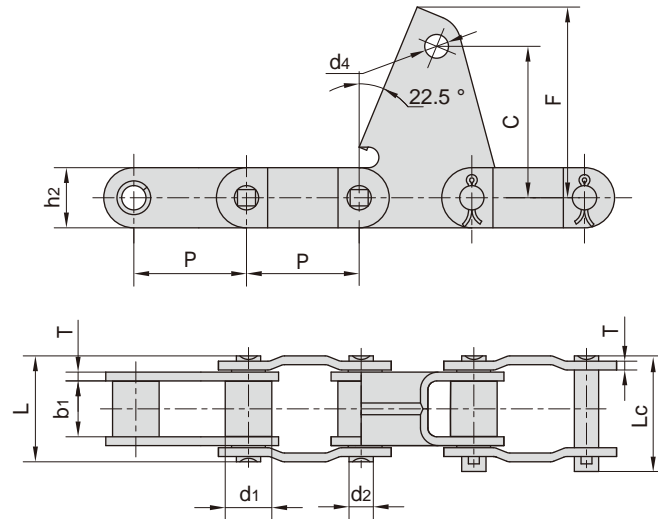




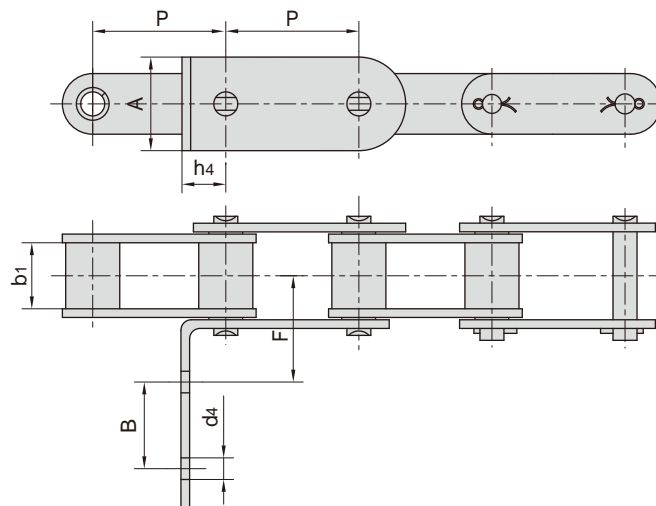




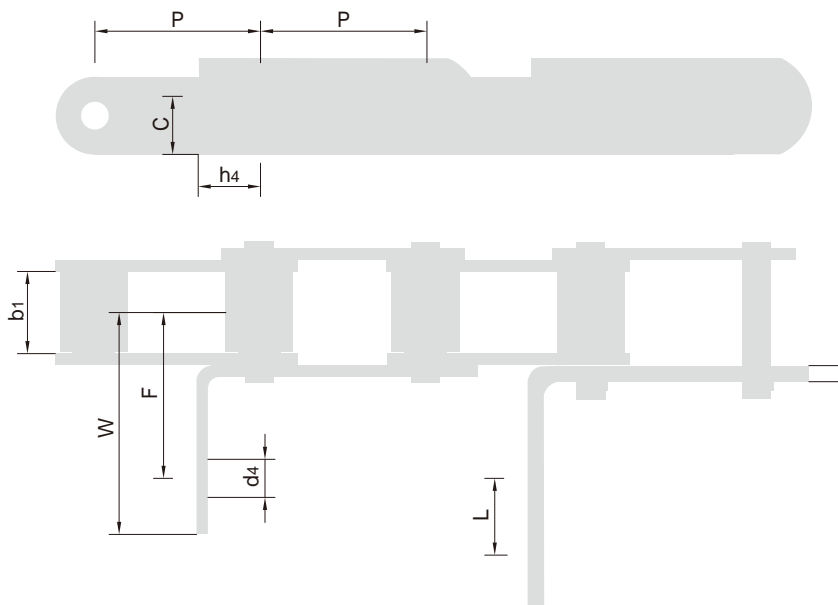
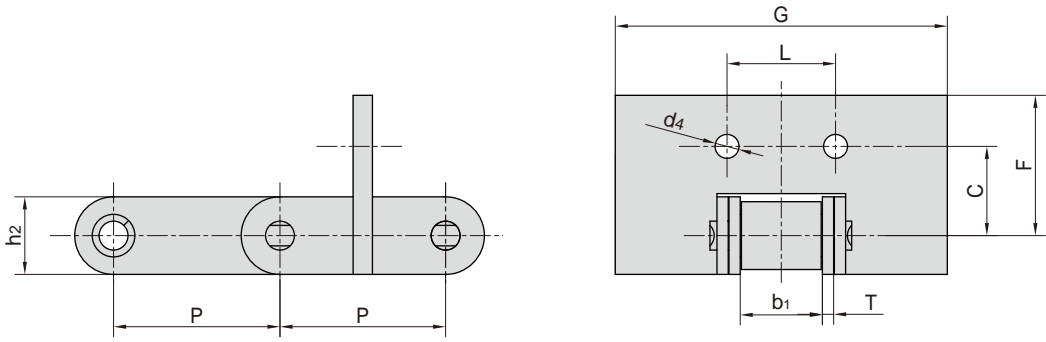
C CA  
C type and CA type steel agricultural chain attachments

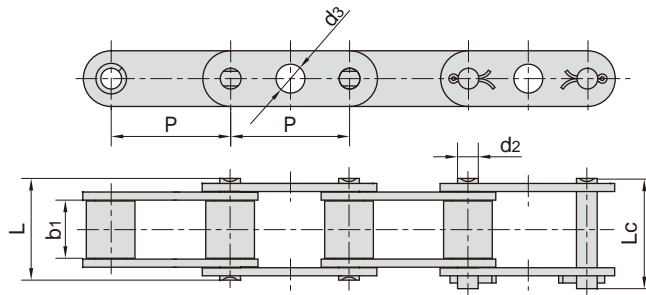


东华链号 Donghua Chain No.	节距	滚子直径	内节内宽	销轴直径	销轴长度		链板尺寸					抗拉强度	每米长重
	Pitch	Roller diameter	Width between inner plates	Pin diameter	L	Lc	Plate dimension					Tensile strength	Weight per meter
	P	d1 max	b1 min	d2 max	L max	Lc max	h2 max	T max	C	F	d4	Q min	q
	mm	mm	mm	mm	mm	mm	mm	mm	mm	mm	mm	kN/lbf	kg/m
38.4VBF2	38.4	15.88	19.05	8.28	36.1	39.1	20.5	3.0	51.6	65	8.1	50/11247	2.33

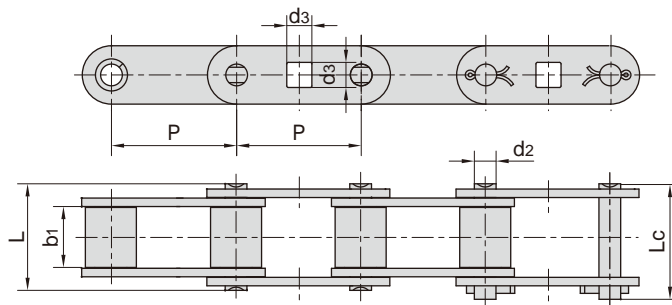


东华链号 Donghua Chain No.	P	b1	A	B	F	h4	d4
	mm	mm	mm	mm	mm	mm	mm
38.4RF2	38.4	19.05	27.0	25	31.3	12.7	6.8
CA550F21	41.4	19.81	19.3	-	41.7	12.5	7.0

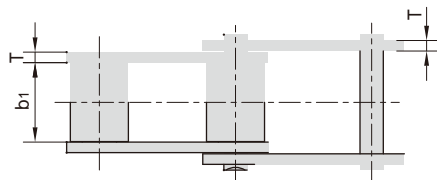


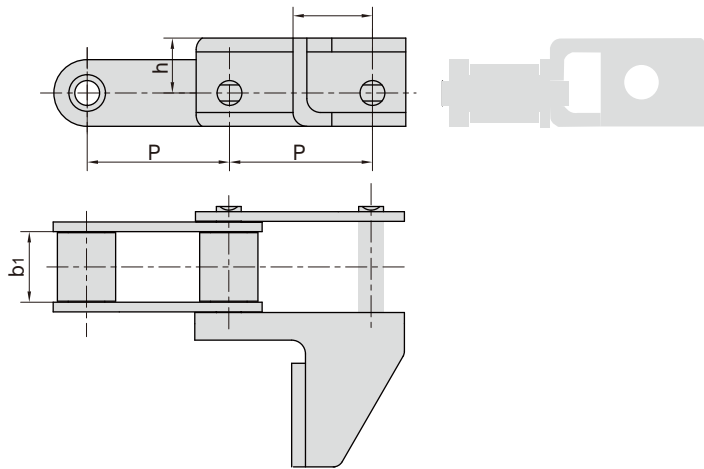


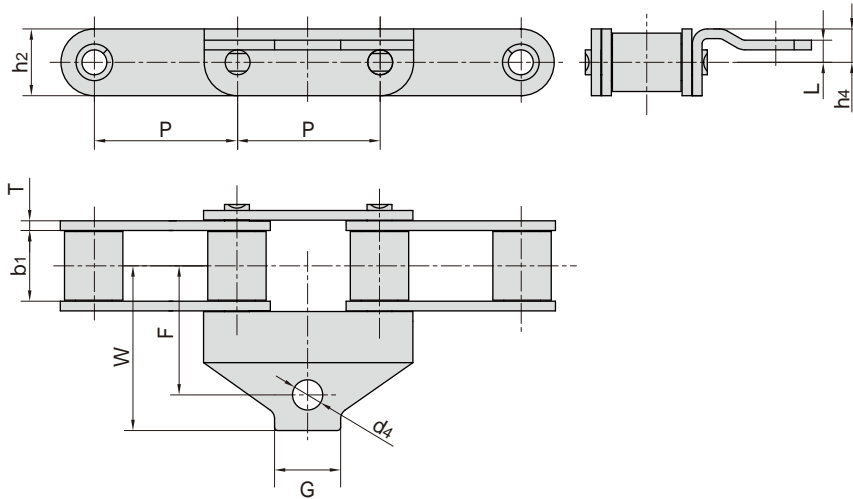
东华链号 Donghua Chain No.	P	b <sub>1</sub>	d <sub>2</sub>	d <sub>3</sub>	L	L <sub>c</sub>
	mm	mm	mm	mm	mm	mm
CA550GKF1	41.4	19.81	7.19	10	35	38
CA550GKF3	41.4	19.81	7.19	12	35	38



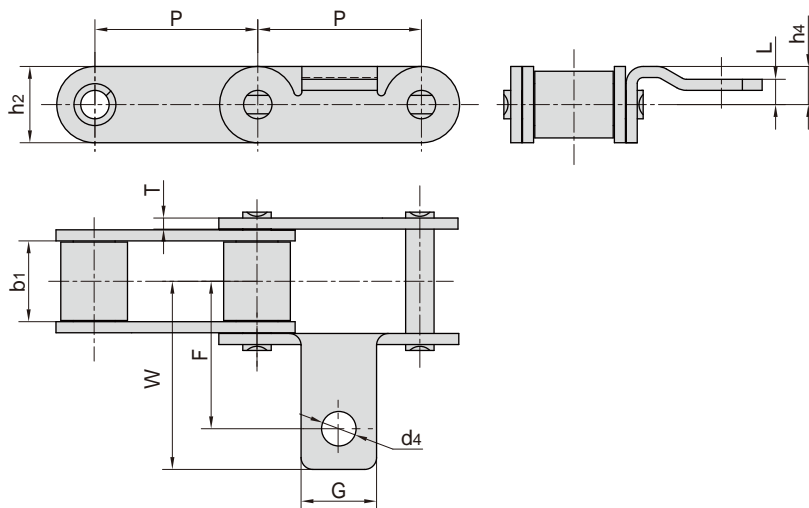
东华链号 Donghua Chain No.	P	b <sub>1</sub>	d <sub>2</sub>	d <sub>3</sub>	L	L <sub>c</sub>
	mm	mm	mm	mm	mm	mm
CA550GKF2	41.4	19.81	7.19	8.3	35	38







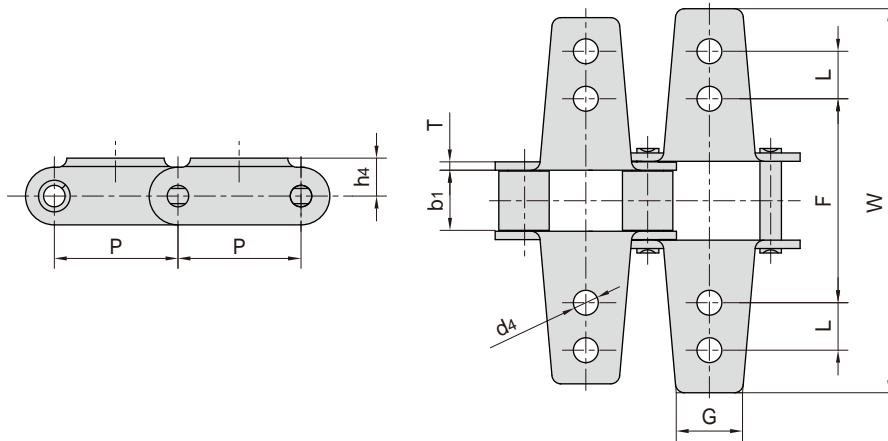
东华链号 Donghua Chain No.	P	b <sub>1</sub>	G	F	W	h <sub>2</sub>	L	h <sub>4</sub>	T	d <sub>4</sub>
	mm	mm	mm	mm	mm	mm	mm	mm	mm	mm
CA550AH	41.4	19.81	19.1	37.3	47.6	19.3	6.4	9.65	2.8	8.73
CA550AHF1	41.4	19.81	25.4	37.3	47.6	19.3	6.4	9.70	2.8	8.71



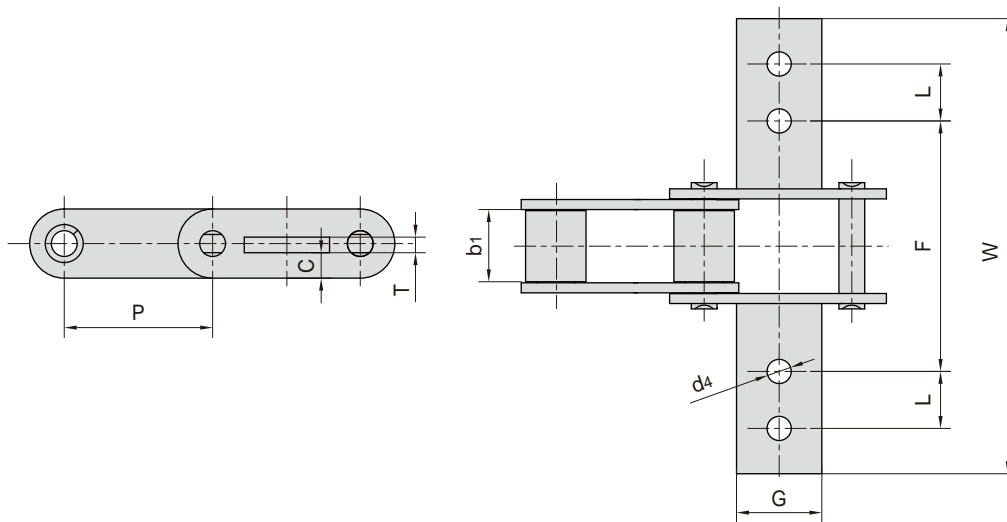
东华链号 Donghua Chain No.	P	b <sub>1</sub>	G	F	W	h <sub>2</sub>	L	h <sub>4</sub>	T	d <sub>4</sub>
	mm	mm	mm	mm	mm	mm	mm	mm	mm	mm
CA550AID	41.4	19.81	19.1	37.3	47.6	19.3	6.4	9.65	2.8	8.73



C CA  
C type and CA type steel agricultural chain attachments



东华链号 Donghua Chain No.	P	b <sub>1</sub>	L	G	F	W	h <sub>4</sub>	T	d <sub>4</sub>
	mm	mm	mm	mm	mm	mm	mm	mm	mm
CA550K6	41.40	19.81	15.9	22.2	68.3	128.6	12.7	2.80	8.33
CA620K12	42.01	24.51	15.9	22.2	69.9	130.2	23.8	3.25	6.75



东华链号 Donghua Chain No.	P	b <sub>1</sub>	G	L	F	W	T	C	d <sub>4</sub>
	mm	mm	mm	mm	mm	mm	mm	mm	mm
CA550K8	41.40	19.81	23.8	15.9	69.9	127.0	4.3	7.1	6.75
CA550K9	41.40	19.81	23.8	15.9	69.9	127.0	4.3	7.9	6.75

