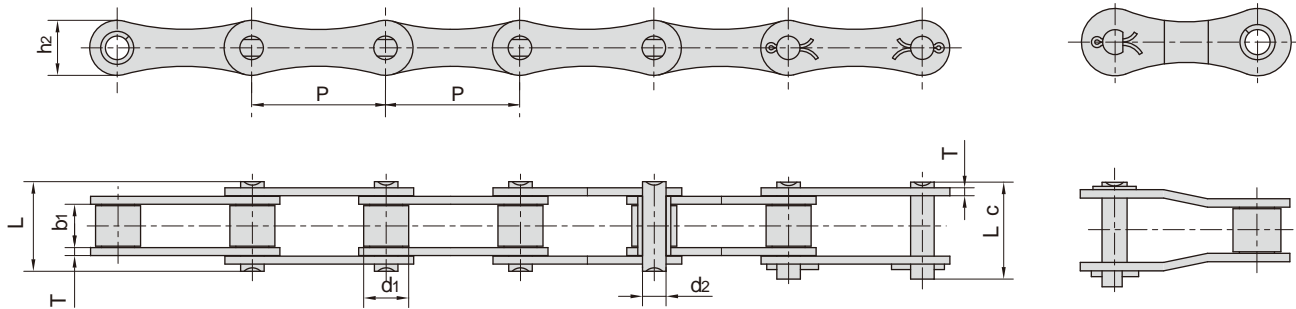


S type steel agricultural chains



东华链号 Donghua Chain No.	节距 Pitch P mm	滚子直径 Roller diameter d1 mm		内节内宽 Inner plate width b1 mm		销轴直径 Pin diameter d2 mm		销轴长度 Pin length L, Lc mm		内链板高度 Inner plate depth h2 mm		链板厚度 Plate thickness t / T mm		抗拉强度 Tensile strength Q min kN / lbf		平均抗拉强度 Average tensile strength Q0 kN		每米长重 Weight per meter q kg / m	
		d1 max	d1 min	b1 min	d2 max	L max	Lc max	h2 max	t / T max	Q min	Q0	Q min	Q0	q					
		mm	mm	mm	mm	mm	mm	mm	mm	mm	mm	mm	mm	mm	mm	mm	mm	mm	mm
S55V	41.4	40.7	39.0	22.2	23.3	8.2	23.9	34.2	42.4	20.0	3.0	42.00	95.4	65.0	2.22				
S55VF1	41.4	40.7	39.0	22.2	23.3	8.2	23.9	34.2	42.4	21.4	3.0	45.00	102.2	73.1	2.32				
S32	29.2	11.4	31.5	8.8	4.4	5.2	6.7	28.8	13.2	1.8	8.00	18.1	82.1	1.6	0.86				
S32V	29.2	11.4	31.5	8.8	5.0	8.2	7.3	29.7	13.5	2.1	25.00	56.8	27.0	0.96					
S42	34.9	34.2	27.1	19.0	5.7	7.0	0.3	34.3	37.0	19.8	2.8	27.00	61.3	60.8	1.60				
S42F2	34.9	34.2	27.1	19.0	5.7	7.0	0.3	34.3	37.0	19.8	2.5 / 3.2	207.00	61.3	60.8	1.82				
S45	41.4	40.5	24.2	22.2	3.7	5.7	2.3	37.7	40.4	17.3	2.8	18.00	40.9	36.1	1.66				
S45H	41.4	40.5	24.2	22.2	3.7	7.1	1.4	39.5	42.5	17.3	3.0	37.65	84.6	41.4	2.10				
S51	38.1	40.5	24.1	16.0	0.5	5.7	2.3	30.9	33.8	17.3	2.8	28.00	63.6	30.8	1.48				
S52	38.1	40.5	24.2	22.2	3.7	5.7	2.3	37.7	40.4	17.3	2.8	18.00	40.9	36.1	1.68				
S52F1	38.1	40.4	22.0	22.0	0.0	6.9	2.3	36.5	39.1	18.2	2.5	23.50	52.8	38.2	1.60				
S52L	38.1	40.5	24.1	16.4	0.5	5.7	2.3	30.9	33.8	16.5	2.5	29.20	66.3	32.2	1.36				
S52LV	38.1	40.5	24.1	17.8	0.5	6.9	4.3	33.8	37.0	16.7	3.0	30.00	68.1	32.5	1.58				
S55	41.4	40.7	39.0	22.2	23.3	5.7	2.3	37.7	40.4	17.3	2.8	18.00	40.9	36.1	1.80				
S55R	41.4	40.7	39.0	22.2	23.3	8.9	0.4	41.0	44.0	22.4	3.5	45.00	102.2	73.1	2.49				
S55RH	41.4	40.7	39.0	22.2	23.3	8.9	0.4	43.2	46.4	22.4	4.0	65.00	147.7	82.5	2.74				
S55RH F4	41.4	40.5	22.2	22.2	23.3	8.9	0.4	43.2	46.4	22.4	4.0	65.00	147.7	82.5	2.74				
S62	41.9	19.0	5.2	26.2	0.5	5.7	2.4	40.3	43.0	17.3	2.5	26.70	60.6	36.1	1.87				
S62F1	41.9	19.0	5.2	25.4	0.5	5.7	2.3	39.4	42.2	17.3	2.5	26.70	60.6	36.1	2.04				
S62F5	41.9	19.0	5.2	26.2	0.5	5.7	2.4	40.3	43.0	16.7	2.5	26.70	60.6	36.1	2.07				
S62F8	41.9	19.0	5.2	27.9	0.5	10.0	0.4	44.9	49.3	25.0	3.0	45.00	102.2	73.1	2.96				
S62R	41.9	19.0	5.2	25.8	0.5	8.5	0.4	41.9	44.6	20.1	2.8	42.00	95.4	65.0	2.43				
S77	58.3	48.2	26.2	22.2	23.3	8.9	0.4	43.2	46.4	26.2	4.0	45.00	102.2	73.1	2.66				
S88	66.2	22.8	6.2	28.5	8.8	8.9	0.4	49.8	53.0	26.2	4.0	45.00	102.2	73.1	3.25				