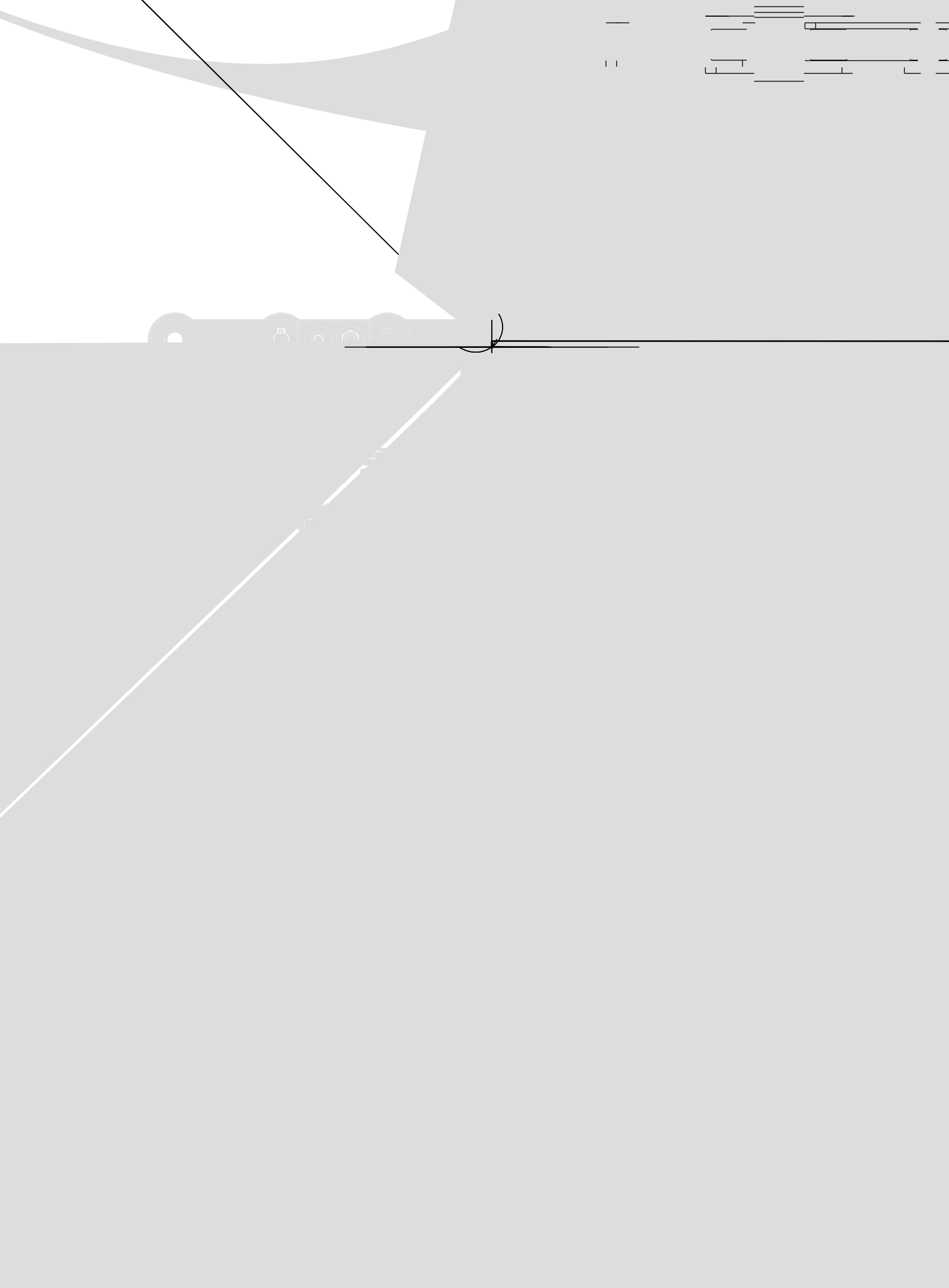




|

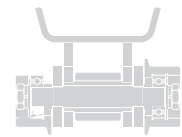


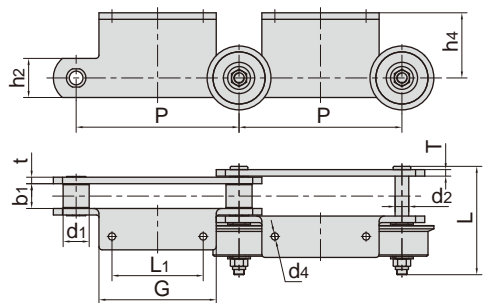








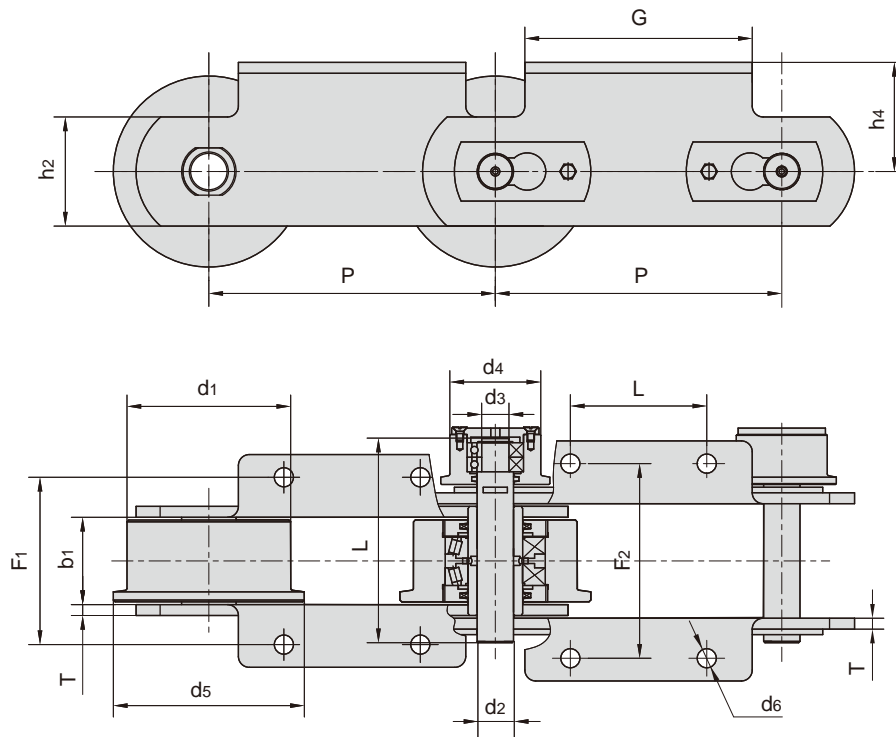








!aD“\*L Ô3ìJ+ Ž  
\$ POWFZPS DIBJOT GPS BVUPNPCJMF QSPEVDUJPO MJOF



Donghua Chain No.	½Ú¾à	¹öxÓÖ±¾¶¶			ÄÚ½ÚÄÚ¿í	ÛüÖáÖ±¾¶¶		ÛüÖá³¶¶È	¿¹Á-Ç¿¶È	Æ¹¾¾ù¿¹Á-Ç¿¶È
	Pitch	Roller diameter			Width between inner plates	Pin diameter		Pin length	Tensile strength	Average tensile strength
	P	d1 max	d4 max	d5 max	b1 min	d2 max	d3 max	L1 max	Q min	Q0
	mm	mm	mm	mm	mm	mm	mm	mm	kN/lbf	kN
P315	315	180.0	100.0	210.0	90.0	40.0	30.0	217.0	100.0/22727	110.0

Donghua Chain No.	P	L	G	F1	F2	h4	h2	d6	T
	mm	mm	mm	mm	mm	mm	mm	mm	mm
P315	315	150.0	250.0	180.0	206.0	120.0	120.0	21.0	12.0

