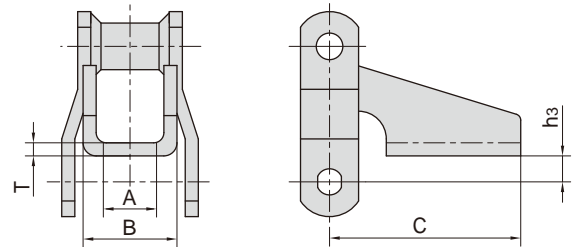




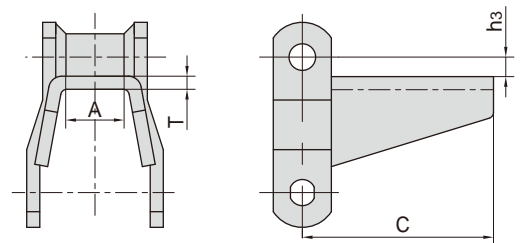
H1附件 With H1 attachments

东华链号 Donghua Chain No.	h <sub>3</sub> mm	A mm	B mm	C mm	T mm
WR 7 8 WH 7 8	12.7	22.4	50.8	93.5	6.4
WR 8 2 WH 8 2	15.7	28.4	57.2	93.5	6.4



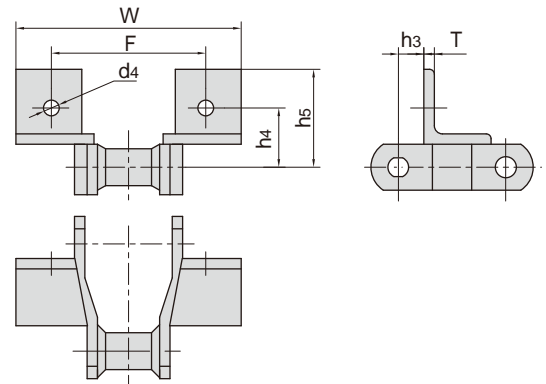
H2附件 With H2 attachments

东华链号 Donghua Chain No.	h <sub>3</sub> mm	A mm	C mm	T mm
WR 7 8 WH 7 8	7.9	20.8	93.5	6.4
WR 8 2 WH 8 2	7.9	26.4	96.8	6.4



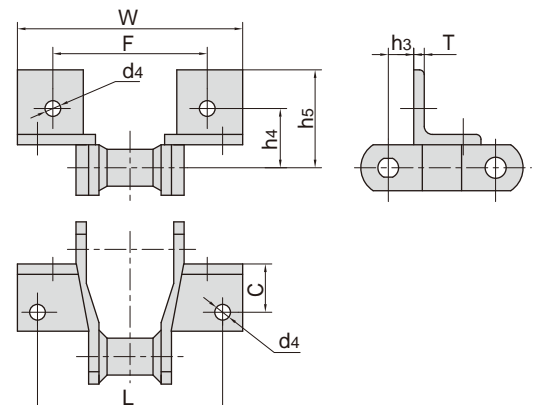
带F2附件 With F2 attachments

东华链号 Donghua Chain No.	h <sub>3</sub> mm	h <sub>4</sub> mm	h <sub>5</sub> mm	F mm	W mm	d <sub>4</sub> mm	T mm
WR 7 8 WH 7 8	15.7	36.6	60.5	95.5	138.2	9.7	6.4



带F4附件 With F4 attachments

东华链号 Donghua Chain No.	h <sub>3</sub> mm	h <sub>4</sub> mm	h <sub>5</sub> mm	L mm	C mm	F mm	W mm	d <sub>4</sub> mm	T mm
WR 7 8 WH 7 8	17.3	44.4	60.5	114.3	31.8	95.2	141.2	9.7	6.4
WR 8 2 WH 8 2	20.6	46.2	62.0	127.0	28.4	104.6	150.9	9.7	6.4
WR 1 2 4 WH 1 2 4	22.4	52.3	73.2	133.6	36.6	111.3	157.0	9.7	9.7



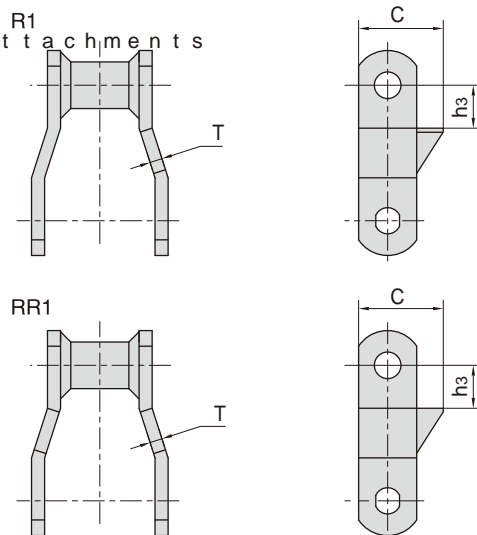
8 \* U & 7 \ 琿 + K q #

8 F M E F E T U F F M U Z Q F N J M M D I B J O T X J U I B U U B D I N F O U T d 1 # P # s r

东华链号 Donghua Chain No.	h <sub>3</sub> mm	C mm	T mm
WR 7 8 WH 7 8	17.3	41.1	6.4
WR 8 2 WH 8 2	22.4	49.3	6.4
WR 1 2 4 WH 1 2 4	31.8	49.3	9.7

带 R1 & RR1 附件

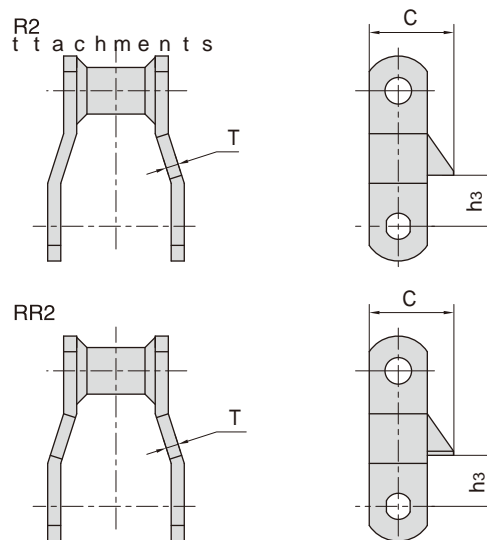
With R1 & RR1 attachments



东华链号 Donghua Chain No.	h <sub>3</sub> mm	C mm	T mm
WR 7 8 WH 7 8	17.3	41.1	6.4
WR 8 2 WH 8 2	22.4	49.3	6.4
WR 1 2 4 WH 1 2 4	31.8	49.3	9.7

带 R2 & RR2 附件

With R2 & RR2 attachments



东华链号 Donghua Chain No.	h <sub>3</sub> mm	W mm	T mm
WR 7 8 WH 7 8	19.1	153.9	6.4
WR 8 2 WH 8 2	23.9	166.6	6.4
WR 1 2 4 WH 1 2 4	30.0	217.4	6.4
WR 1 2 4 H WH 1 2 4 H	35.1	217.4	9.7
WR 1 3 2 WH 1 3 2	38.1	316.0	9.7

带 W1 附件

With W1 attachments

