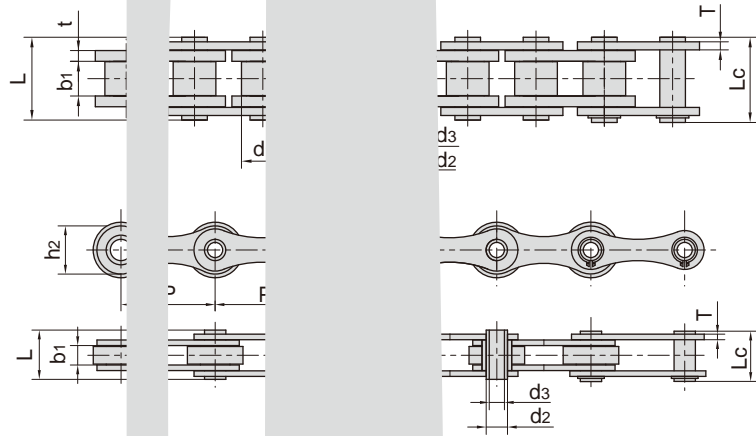
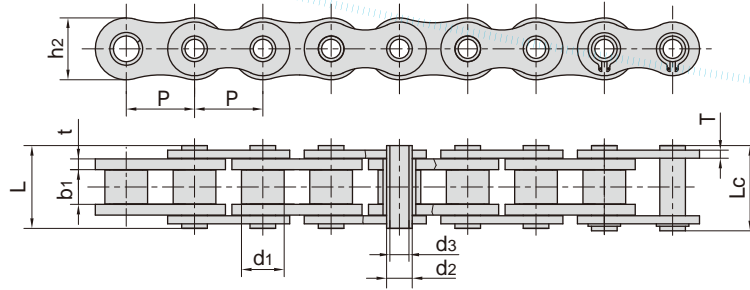




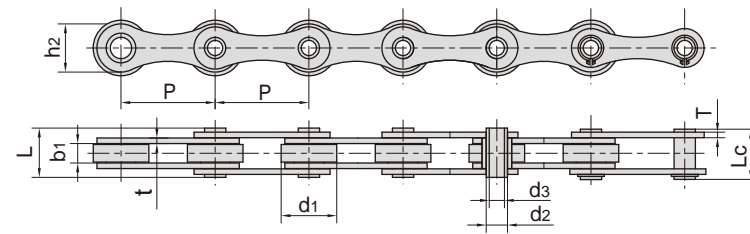
B型  
Type B



A型  
Type A

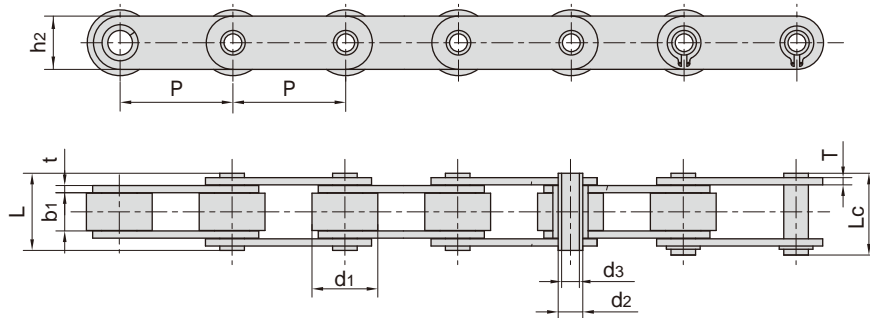


B型  
Type B



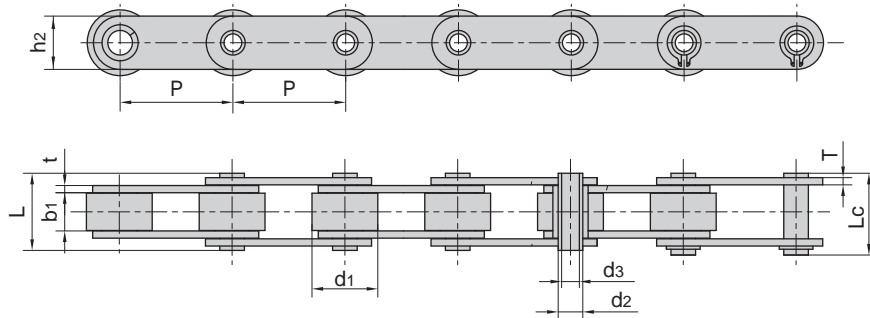
东华链号 Donghua Chain No.	节距	滚子直径	内节内宽	销轴直径			销轴长度		内链板高度	链板厚度	抗拉强度/	平均抗拉强度	每米重量	型号E
	Pitch	Roller diameter	Width between inner plates	Pin diameter	Pin length	Inner plate depth	Plate thickness	Tensile strength	Average tensile strength	Weight per meter	Type	4cEcD		
	P	d1 max	b1 min	d2 max	d3 min	L max	Lc max	h2 max	t/T max	Q min	Q0	q		
	mm	mm	mm	mm	mm	mm	mm	mm	mm	kN/lbf	kN	kg/m		
HP41.75F3	41.750	17.00	20.50	11.00	8.30	36.00	39.50	21.40	3.00	27.00/6136	28.00	1.62	A	
HP41.75F6	41.750	17.10	20.20	11.11	8.20	36.70	37.50	25.26	3.10	49.00/11015	53.90	2.04	A	
HP50F2	50.000	31.00	15.00	13.20	10.20	36.50	38.00	25.00	4.00	40.00/9091	43.20	3.40	B	
DH16500HP	50.000	30.00	10.50	11.40	8.20	27.40	28.60	26.00	3.10	50.00/11240	53.60	2.23	B	
HB50F4	50.000	30.00	10.00	11.60	8.00	26.60	30.00	25.40	3.00	60.00/13635	67.20	2.03	B	
HB50F1-C30	50.000	30.00	10.00	12.00	8.20	26.50	28.10	26.00	3.00	45.00/11016	49.50	2.36	B	
HB50.8	50.800	30.00	10.50	11.40	8.20	27.40	28.60	26.00	3.10	50.00/11240	53.60	2.56	B	
HB50.8F4	50.800	30.00	10.50	13.60	8.20	27.40	28.90	26.00	3.10	42.00/9545	48.20	2.28	B	
HB50.8F14	50.800	30.00	10.00	11.60	8.00	26.60	30.00	25.40	3.00	60.00/13635	67.20	2.01	B	
HB60F6	60.000	30.00	10.00	11.60	8.00	26.60	30.00	26.00	3.00	46.00/10341	50.60	2.06	B	
HB60F7	60.000	30.00	10.00	11.60	8.00	26.60	30.00	25.40	3.00	60.00/13635	66.00	1.82	B	
HB63	63.000	30.00	10.00	11.40	8.10	26.70	28.10	26.50	3.10	50.00/11240	53.60	2.07	B	
HB63F1	63.000	40.00	10.00	11.40	8.10	26.70	28.10	26.50	3.10	50.00/11240	53.60	2.27	B	
HB63F2	63.000	40.00	20.00	11.40	8.10	36.70	38.10	26.50	3.10	50.00/11240	53.60	3.20	B	
HB63F3	63.000	40.00	15.00	11.40	8.20	35.60	37.00	26.50	4.00	35.00/7955	38.50	3.90	B	
HB63F4	63.000	30.00	20.00	11.40	8.10	36.70	38.10	26.50	3.10	50.00/11240	53.60	2.97	B	
HB63F6	63.000	30.00	10.00	11.70	8.20	26.70	28.10	26.50	3.10	50.00/11240	56.70	2.08	B	
HB63F7	63.000	40.00	18.00	14.00	10.20	38.00	39.50	28.00	4.00	50.00/11240	56.70	4.26	B	
HB63F8	63.000	30.00	20.00	11.70	8.10	36.50	38.00	26.50	3.10	50.00/11240	56.70	2.91	B	
HB63F14	63.000	30.00	10.00	11.40	8.10	30.20	31.60	26.50	4.00	50.00/11240	55.00	2.45	B	
HB63.5F3	63.500	31.00	15.00	14.00	8.20	31.00	33.00	28.00	3.00	34.00/7647	38.00	2.75	B	
HB80F3	80.000	45.00	20.00	24.00	18.00	39.00	40.60	40.00	3.50	75.00/16858	82.50	4.60	B	
HB100	100.000	30.00	10.50	11.40	8.20	27.40	28.60	26.00	3.10	50.00/11240	53.60	1.56	B	
HB100F8	100.000	30.00	10.00	11.60	8.00	26.60	30.00	25.40	3.00	60.00/13635	67.20	1.37	B	
HB100F16	100.000	35.00	16.00	13.00	8.20	38.60	40.00	30.00	4.00	86.24/19337	95.00	3.26	B	

## Hollow pin conveyor chains



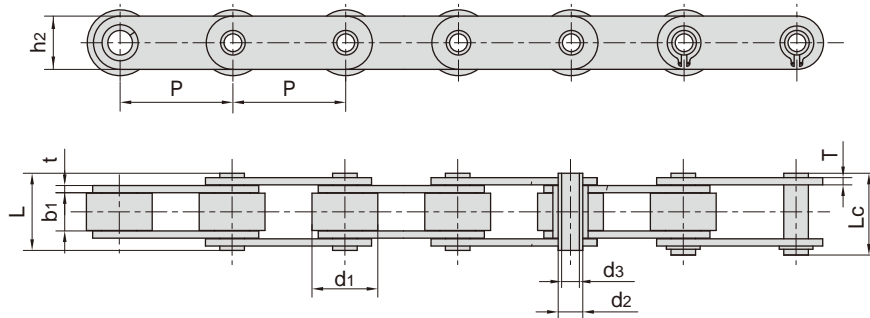
东华链号 Donghua Chain No.	节距 Pitch	滚子直径 Roller diameter	内节内宽 Width between inner plates	销轴直径 Pin diameter		销轴长度 Pin length		内链板高度 Inner plate depth	链板厚度 Plate thickness	抗拉强度 Tensile strength	平均抗拉强度 Average tensile strength	每米长重 Weight per meter
	P	d1 max	b1 min	d2 max	d3 min	L max	Lc max	h2 max	t/T max	Q min	Q0	q
	mm	mm	mm	mm	mm	mm	mm	mm	mm	kN/lbf	kN	kg/m
C12AHB	19.05	11.91	12.70	7.00	5.01	25.50	26.6	18.00	2.42	20.0/4545	22.40	1.58
C12BHP	19.05	12.07	11.68	6.50	4.00	21.60	22.8	15.90	1.85	20.0/4545	22.40	1.22
C2042HP	25.40	15.88	7.85	5.63	4.00	16.50	17.6	12.00	1.50	11.0/2500	12.60	0.78
C2042H-HP	25.40	15.88	7.85	5.63	4.00	18.80	19.9	12.00	2.03	11.0/2500	13.20	0.95
C2052HP	31.75	19.05	9.53	7.22	5.12	20.50	21.8	15.00	2.03	20.4/4636	22.80	1.25
C2052HPF1	31.75	19.05	9.40	7.03	5.12	20.00	21.5	15.30	1.85	15.0/3409	17.30	1.21
C2052HPF3	31.75	19.05	9.53	7.02	5.13	20.10	21.6	15.09	2.03	19.6/4455	21.60	1.20
C2052H-HP	31.75	19.05	9.53	7.22	5.12	22.10	23.4	15.00	2.42	20.4/4545	23.50	1.44
C2062HP	38.10	22.23	12.70	8.31	6.00	25.80	26.8	17.00	2.42	24.0/5455	27.10	1.72
C2062H-HP	38.10	22.23	12.70	8.31	6.00	29.20	30.2	17.00	3.25	24.0/5455	27.60	1.99
C2062H-HPF3	38.10	22.23	12.70	8.31	6.00	25.80	26.8	17.00	2.42	24.0/5455	27.10	1.72
C2082HP	50.80	28.58	15.75	11.40	8.05	32.40	33.8	24.00	3.25	50.0/11364	52.00	2.82
C2082H-HP	50.80	28.58	15.75	11.40	8.05	35.70	37.0	24.00	4.00	50.0/11364	56.50	3.34
C1655HP	50.80	30.00	10.50	13.00	8.20	27.40	28.9	26.00	3.10	42.0/9545	48.20	2.72
63HPF1	63.00	40.00	15.00	16.00	12.10	35.00	36.2	28.50	4.00	50.0/11364	56.70	4.20
C2102HP	63.50	39.67	18.90	13.60	9.50	40.30	42.0	30.00	4.00	60.0/13636	72.00	5.13
DH4202HP	50.80	31.80	15.00	14.00	10.10	36.30	39.0	26.00	3.80	42.0/9545	51.60	3.75
DH4203HP	76.20	31.80	15.00	14.00	10.10	36.30	39.0	26.00	3.80	42.0/9545	47.10	3.01
DH8403HP	76.20	47.60	19.00	19.05	13.60	43.80	46.3	39.00	5.10/3.80	84.3/19159	130.30	6.81
DH42035HP	88.90	31.80	15.00	14.00	10.10	36.30	39.0	26.00	3.80	42.0/9545	51.10	2.79
DH4204HP	101.60	31.80	15.00	14.00	10.10	36.30	39.0	26.00	3.80	42.0/9545	51.60	2.63
DH8404HP	101.60	47.60	19.00	19.05	13.60	43.80	46.3	39.00	5.10/3.80	84.3/19159	130.30	5.78
DH8406HP	152.40	47.60	19.00	19.05	13.60	43.80	46.3	39.00	5.10/3.80	84.0/19091	130.30	5.18
HB25.4F2	25.40	15.89	17.26	9.00	6.35	31.30	32.5	20.00	2.50	20.0/4545	22.40	1.97
HB25.4F4	25.40	20.00	11.00	12.00	8.35	27.00	28.4	24.00	3.00	32.0/7273	35.80	2.48
HB38.1F2	38.10	25.40	12.70	9.50	6.60	26.60	28.0	19.10	2.30	20.0/4545	22.40	2.07
HB38.1F6-R	38.10	25.40	15.20	14.00	10.20	34.50	36.5	27.00	3.70	45.0/10228	49.50	3.20
HB40F1	40.00	22.00	9.00	9.00	6.00	23.00	24.5	18.00	2.50	20.0/4546	22.00	1.58
HB41.4	41.40	25.40	15.00	13.80	10.50	35.50	37.0	32.00	4.00	45.0/10227	48.00	4.20

## Hollow pin conveyor chains



东华链号 Donghua Chain No.	节距 Pitch	滚子直径 Roller diameter	内节内宽 Width between inner plates	销轴直径 Pin diameter		销轴长度 Pin length		内链板高度 Inner plate depth	链板厚度 Plate thickness	抗拉强度 Tensile strength	平均抗拉强度 Average tensile strength	每米长重 Weight per meter
	P	d <sub>1</sub> max	b <sub>1</sub> min	d <sub>2</sub> max	d <sub>3</sub> min	L max	L <sub>c</sub> max	h <sub>2</sub> max	t/T max	Q min	Q <sub>0</sub>	q
	mm	mm	mm	mm	mm	mm	mm	mm	mm	kN/lbf	kN	kg/m
HB50	50.00	31.00	15.00	14.00	10.20	36.00	37.5	25.0	4.00	40.0/9091	43.20	3.98
HB50F9	50.00	18.00	11.50	8.20	6.00	27.40	28.4	25.0	3.00	15.0/3409	17.30	2.00
HB50F12	50.00	25.00	11.60	9.00	6.20	26.00	27.4	20.0	2.50	20.0/4545	22.40	1.77
HB50.42	50.42	37.30	15.00	14.00	10.20	36.00	37.5	26.2	4.00	40.0/9090	44.80	4.46
HB50.8F3	50.80	30.00	16.00	14.00	9.00	36.40	37.5	25.5	3.10	42.0/9545	47.00	3.20
HB50.8F8	50.80	32.00	20.00	19.10	12.40	44.60	46.4	40.0	5.00/4.00	100.0/22727	108.00	6.75
HB50.8F9	50.80	35.00	12.00	15.50	10.20	36.00	37.3	30.0	5.00	70.0/15909	77.00	4.92
HB50.8F11	50.80	38.10	16.00	13.80	9.70	37.20	39.5	25.4	3.90	57.0/12814	62.70	5.01
HB50.8F12	50.80	28.58	16.00	14.00	9.00	36.40	37.5	25.5	3.50	42.0/9545	47.00	3.26
HB50.8F18	50.80	38.10	16.00	13.80	9.70	37.20	39.5	25.4	4.80/3.90	57.0/12814	62.70	4.85
HB50.8F20	50.80	38.10	15.20	14.28	9.50	36.60	37.2	26.4	4.00	40.0/8992	44.00	4.88
HB50.8F26	50.80	30.00	16.00	14.00	9.00	38.40	39.5	27.0	4.00	60.0/13635	67.20	3.98
HB55F2	55.00	20.00	14.00	9.00	6.00	29.00	31.0	20.0	2.50	18.0/4180	19.20	1.54
HB57	57.00	30.00	10.00	13.00	10.20	26.40	27.5	26.0	3.00	28.0/6298	30.00	1.84
HB63F11	63.00	40.00	20.00	20.00	18.00	42.50	43.5	42.0	4.00	46.0/10454	50.60	5.83
HB63F12	63.00	30.00	10.00	11.40	8.10	26.70	28.1	26.5	3.10	50.0/11364	56.50	2.39
HB63.5F1	63.50	32.00	15.00	16.00	12.20	32.00	33.0	25.0	3.00	20.4/4636	22.80	2.69
HB65	65.00	45.00	20.00	25.00	18.00	38.00	40.0	40.0	3.00	46.0/10454	50.60	4.49
HB65F1	65.00	40.00	20.00	14.00	10.05	40.40	42.0	35.0	4.00	50.0/11364	55.00	5.93
HB75	75.00	40.00	22.00	18.00	12.20	42.00	44.0	35.0	4.00	60.0/13636	72.00	5.57
HB76.2	76.20	31.75	15.50	12.70	9.50	35.50	37.0	26.0	4.00	42.0/9545	49.20	3.25
HB76.2F2	76.20	47.60	20.00	24.00	18.50	44.50	46.1	40.0	5.00/4.00	79.0/17935	92.50	6.77
HB76.2F6	76.20	44.45	23.00	17.48	13.49	44.20	46.5	35.0	4.00	75.0/17044	82.50	6.27
HB76.2F9	76.20	47.60	17.50	22.00	16.60	46.00	47.6	38.0	6.00	56.0/12596	61.50	7.52
HB80	80.00	50.00	20.00	24.00	18.50	44.50	46.1	40.0	5.00/4.00	79.0/17953	92.50	6.81
HB80F4	80.00	50.00	20.00	24.00	18.50	50.50	51.8	40.0	6.00	120.0/26977	132.00	8.10
HB86	86.00	45.00	15.00	19.00	14.50	40.00	41.5	35.0	5.00/4.00	85.0/19119	95.00	5.14
HB100F3	100.00	30.00	24.00	15.95	10.30	46.00	47.3	35.0	4.00	75.0/17046	84.70	4.04
HB100F6	100.00	60.00	31.00	27.00	19.00	59.00	60.8	50.0	6.00/5.00	150.0/34088	160.00	11.50

## Hollow pin conveyor chains



东华链号 Donghua Chain No.	节距 Pitch	滚子直径 Roller diameter	内节内宽 Width between inner plates	销轴直径 Pin diameter		销轴长度 Pin length		内链板高度 Inner plate depth	链板厚度 Plate thickness	抗拉强度 Tensile strength	平均抗拉强度 Average tensile strength	每米长重 Weight per meter
	P	d1 max	b1 min	d2 max	d3 min	L max	Lc max	h2 max	t/T max	Q min	Q0	q
	mm	mm	mm	mm	mm	mm	mm	mm	mm	kN/lbf	kN	kg/m
HB100F7	100.00	30.00	15.00	16.00	12.30	36.50	37.8	35.0	4.00	75.0/17046	84.70	3.49
HB100F9	100.00	45.00	32.80	18.00	12.40	49.00	49.0	35.0	5.00	75.0/17046	84.70	6.14
HB100F10	100.00	45.00	22.00	18.00	12.10	48.50	49.7	35.0	5.00	75.0/17046	84.70	6.05
HB100F11	100.00	40.00	20.60	16.00	12.50	42.10	43.4	35.0	4.00	75.0/17046	84.70	4.58
HB100F13	100.00	48.00	25.00	16.00	11.30	51.00	52.8	35.0	5.00	95.0/21356	104.50	7.03
HB100F14	100.00	37.70	22.20	18.00	12.40	45.30	46.3	35.0	4.15	64.0/14395	70.00	4.79
HB100F18	100.00	31.80	17.00	14.00	10.40	39.50	41.0	26.0	3.80	42.0/9545	47.00	2.82
HB100F19	100.00	40.00	22.00	18.00	12.20	44.70	45.9	35.0	4.00	75.0/16869	82.50	5.18
HB100F20	100.00	38.00	19.00	21.00	13.00	48.00	48.0	50.0	4.80	112.0/25192	123.20	6.60
HB125	125.00	70.00	37.00	26.00	16.20	73.50	75.0	60.0	7.00	250.0/56202	275.00	17.56
HB127F1	127.00	66.70	25.40	26.90	20.10	62.00	64.0	50.0	6.30	107.0/24067	118.00	11.30
HB150F1	150.00	60.00	22.00	24.00	18.00	49.50	51.5	45.0	5.00	100.0/22727	110.00	7.55
HB152F3	152.00	70.00	24.50	26.00	20.00	55.00	57.0	51.0	6.00	150.0/33721	165.00	11.60
HP40	40.00	22.00	8.75	9.00	6.00	23.00	24.2	18.0	2.50	27.0/4545	28.00	1.49
HP50	50.00	31.00	14.50	13.20	10.40	31.10	32.5	25.0	3.10	30.0/6818	34.20	3.29
HP50F4	50.00	31.00	15.00	13.20	10.20	36.50	38.0	25.0	4.00	40.0/9091	44.80	3.73
HP50.8	50.80	26.00	15.88	20.00	14.30	41.00	42.2	38.1	4.80	100.0/22727	108.00	5.32
HP76.2F7	76.20	38.00	17.00	15.00	9.53	43.50	44.6	30.0	5.00	90.0/20243	99.00	4.85
HP76.2F9	76.20	44.45	26.00	17.80	12.50	51.70	52.4	39.0	5.10/4.00	84.3/18961	92.50	7.64
HP100	100.00	45.00	22.00	16.00	12.00	46.00	47.5	35.0	5.00	75.0/17044	90.00	6.20
HP100F1	100.00	45.00	22.00	18.00	12.00	47.20	48.5	35.0	5.00	75.0/17044	90.00	6.15
HP101.6F1	101.60	47.60	19.00	19.00	13.20	46.20	48.0	40.0	5.00/4.00	53.0/12045	58.20	6.09
HP101.6F2	101.60	66.70	25.40	26.90	20.10	59.20	60.7	51.0	7.10/5.10	150.0/34088	160.00	14.23
HP101.6F6	101.60	47.60	20.50	21.00	16.11	45.00	46.5	40.0	5.00/4.00	60.0/13488	66.00	6.20
HP101.6F8	101.60	63.50	27.50	19.05	13.10	60.70	65.5	50.8	6.40	120.0/26977	132.00	13.12
HP130	130.00	40.00	21.00	18.10	12.10	41.30	42.5	35.0	3.80	80.0/18183	89.60	4.21
HP152	152.40	66.70	25.40	26.90	19.56	57.20	59.5	50.8	7.10/5.10	94.0/21362	107.80	9.90
HP152.4F1	152.40	47.60	19.00	19.00	13.20	46.20	48.0	40.0	5.00/4.00	54.0/12270	59.50	5.00
HP152.4F4	152.40	64.00	25.40	29.00	21.00	59.50	60.1	50.0	8.00/5.00	71.3/16028	78.43	9.82

A型  
Type A

