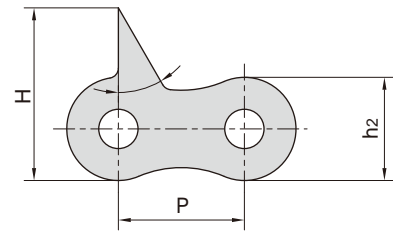
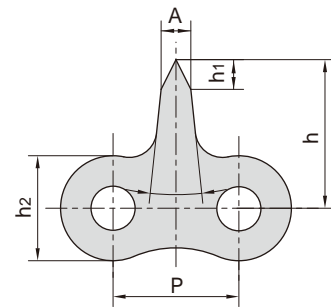


4IBSQ UPQ DIBJOT

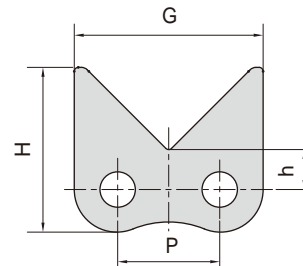
东华链号 Donghua Chain No.	P	h ₂	H	
	mm	mm	mm	
08A-D2-F1	12.7	10.4	17.4	30°
08AF34	12.7	10.4	17.9	30°



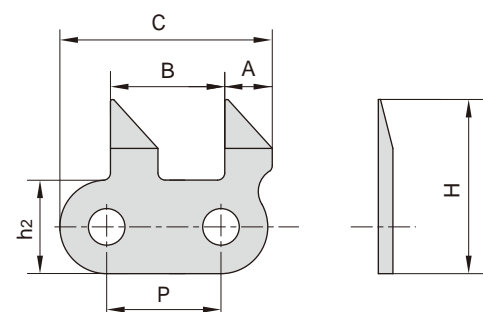
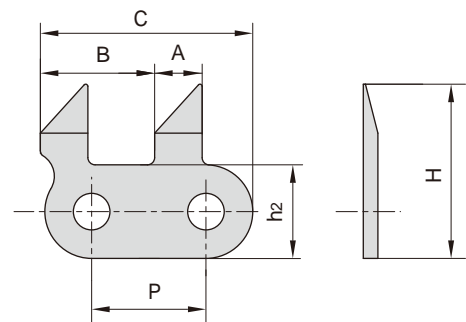
东华链号 Donghua Chain No.	P	h ₁	h ₂	h	A	
	mm	mm	mm	mm	mm	
08BF21	12.7	3.0	10.6	15.0	3.0	12°



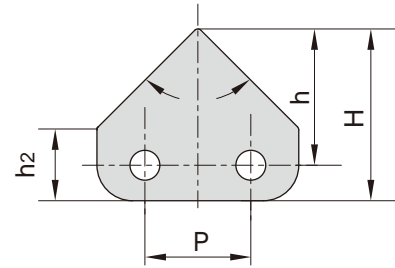
东华链号 Donghua Chain No.	P	H	h	G
	mm	mm	mm	mm
08BF73	12.7	20.5	5.0	23.5



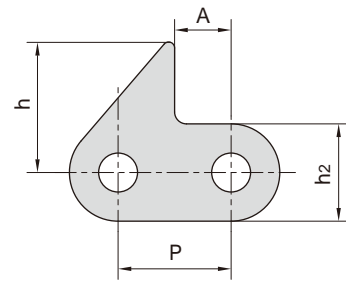
东华链号 Donghua Chain No.	P	A	B	C	h ₂	H
	mm	mm	mm	mm	mm	mm
10AF8	15.875	6.6	15.875	29.5	13.0	24.2



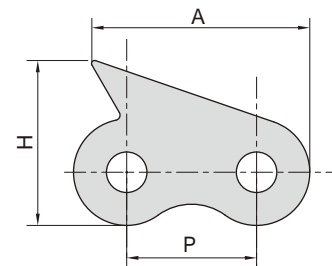
东华链号 Donghua Chain No.	P	H	h	h ₂	
	mm	mm	mm	mm	
41F6	12.7	20.6	16.35	8.70	90 °



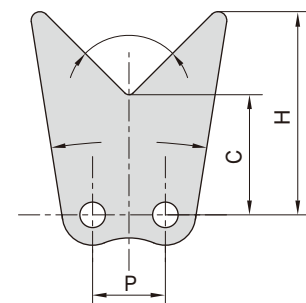
东华链号 Donghua Chain No.	P	h ₂	h	A
	mm	mm	mm	mm
06BF1	9.525	8.20	11.00	4.76
06BF37	9.525	8.20	10.00	4.76
08AF41	12.700	10.40	11.80	6.35
10AF78	15.875	15.09	16.88	9.72
16B-1STCF6	25.400	21.00	27.50	0.70
16BF97-STC	25.400	21.00	23.50	2.70
C210AH-1STCF1	31.750	15.00	13.50	20.00



东华链号 Donghua Chain No.	P	H	A
	mm	mm	mm
08BF44	12.7	16.30	23.30
08AF8	12.7	16.13	21.34



东华链号 Donghua Chain No.	P	C	H		
	mm	mm	mm		
428HJF1	12.7	21.5	36.15	90 °	18 °
428HJF2	12.7	14.5	33.60	90 °	34 °



东华链号 Donghua Chain No.	P	h ₁	h ₂	h ₃	H	s
	mm	mm	mm	mm	mm	mm
08BF11	12.70	8.0	7.8	14.1	19.9	0.8

