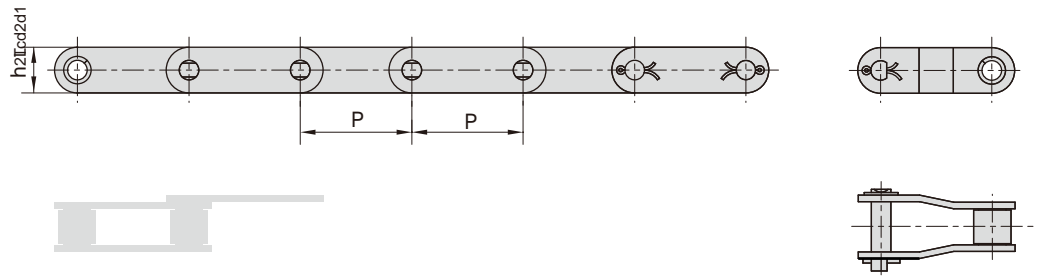
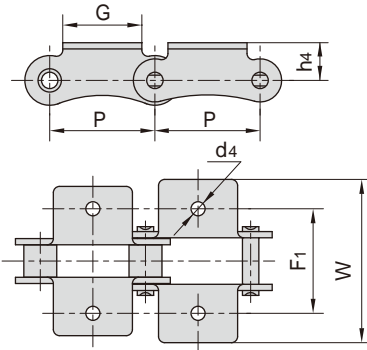


大滚子型 Large Roller Type

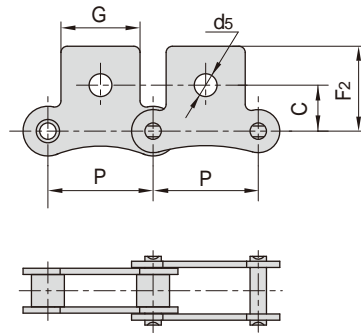


大滚子型 Large Roller Type

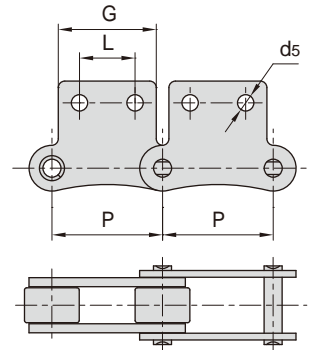
K1



SK1

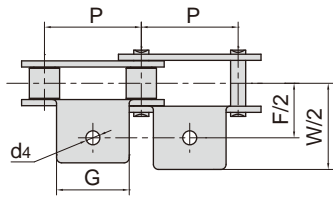


SK2



DIN/ISO 链号 DIN/ISO Chain No.	ANSI 链号 ANSI Chain No.	P	G	F ₁	W	h ₄	d ₄	C	F ₂	d ₅
		mm	mm	mm	mm	mm	mm	mm	mm	mm
208A	2040	25.40	19.1	25.4	39.6	9.1	3.4	11.1	20.5	5.5
210A	2050	31.75	23.8	31.8	49.0	11.1	5.5	14.3	25.0	6.6
212A	2060	38.10	28.6	42.9	67.8	14.7	5.5	17.5	32.9	9.2
216A	2080	50.80	38.1	55.6	87.8	19.1	6.8	22.2	43.5	11.0
220A	2100	63.50	47.6	66.6	107.5	23.4	9.2	28.6	50.4	13.0
224A	2120	76.20	57.2	79.3	121.4	27.8	10.5	33.3	55.5	15.0
208B		25.40	23.2	25.4	39.6	9.1	4.5	11.1	20.5	5.5
210B		31.75	23.8	31.8	49.0	11.1	5.5			
212B		38.10	35.0	38.1	57.0	14.7	6.6			
216B		50.80	44.0	50.8	84.0	19.1	6.6			
220B		63.50	52.0	63.5	104.0	23.4	8.4			
224B		76.20	60.0	76.2	120.0	27.8	10.5			

东华链号 Donghua Chain No.	P	G	L	F ₁	W	h ₄	d ₄	C	F ₂	d ₅
	mm	mm	mm	mm	mm	mm	mm	mm	mm	mm
208BA1F4	25.40	23.80	-	26.20	39.40	10.00	4.30	-	-	-
2060HK1F26	38.10	28.60	-	42.90	67.80	14.70	8.50	-	-	-
212BK2F2	38.10	36.20	-	34.90	55.50	13.00	6.20	-	-	-
212BA0F1	38.10	50.80	-	-	72.80	14.70	-	-	-	-
216BSA2F1	50.80	45.00	25.50	-	-	-	-	30.00	40.00	7.50



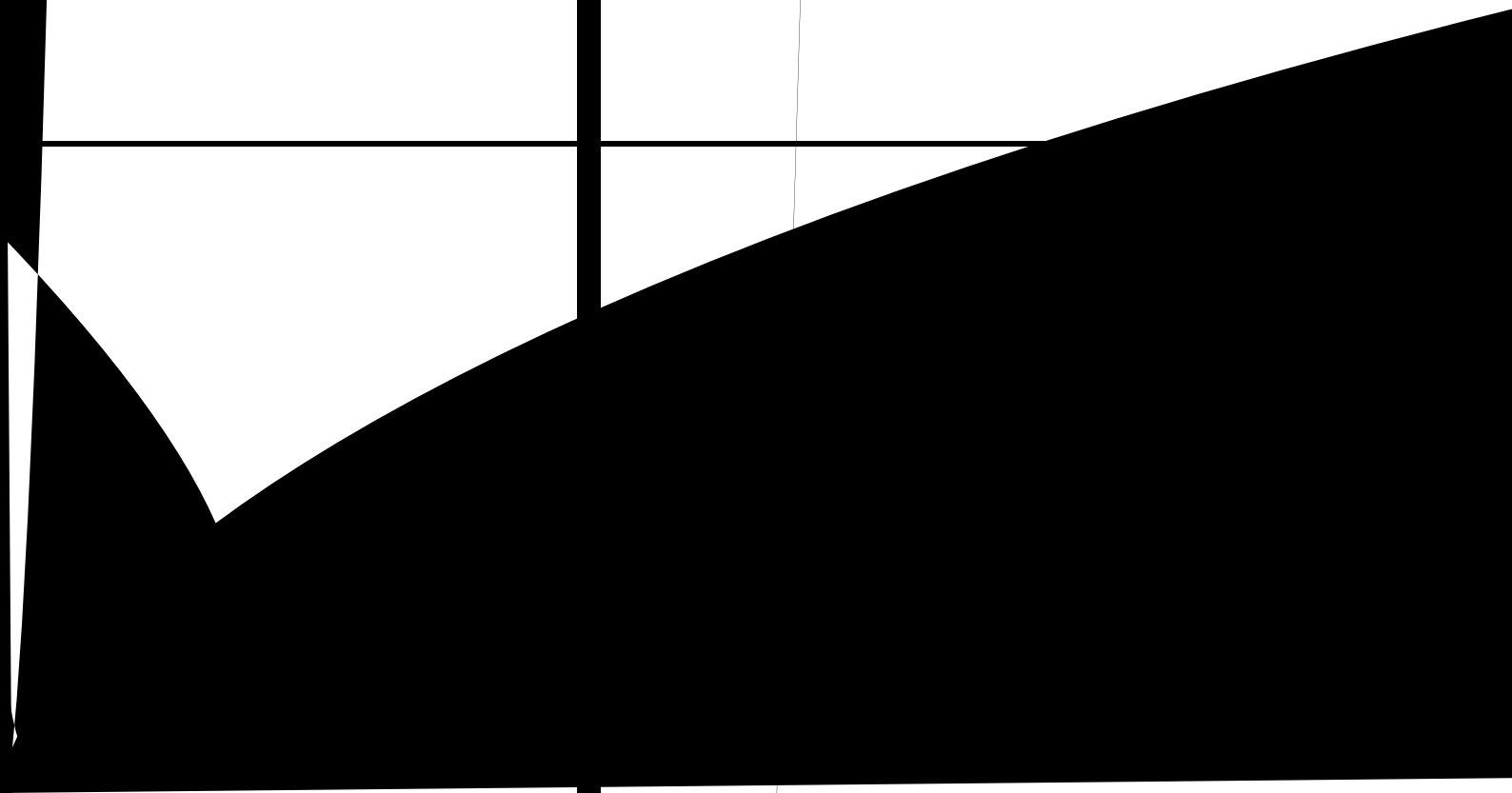


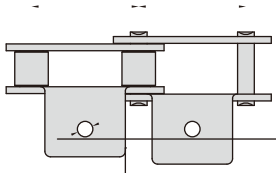




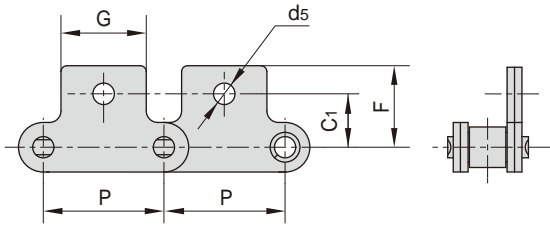


11

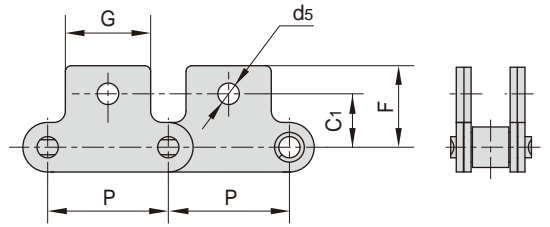




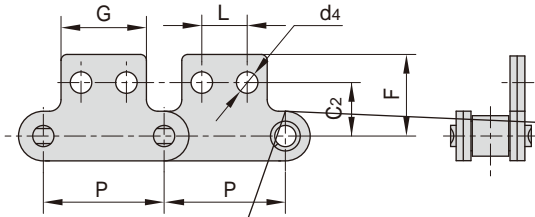
SA1



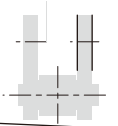
SK1



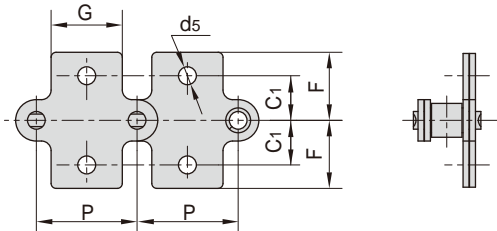
SA2



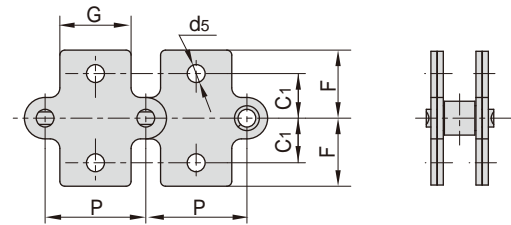
SK2



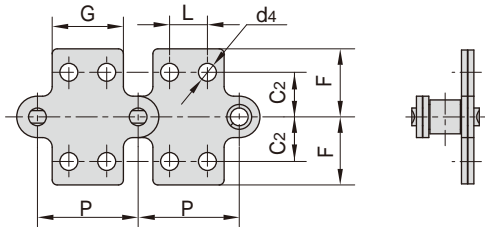
SAA1



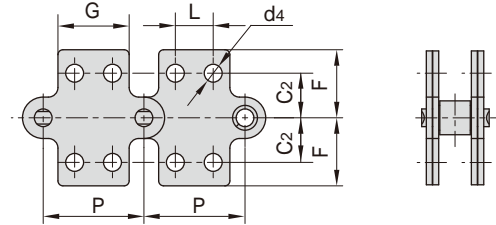
SKK1



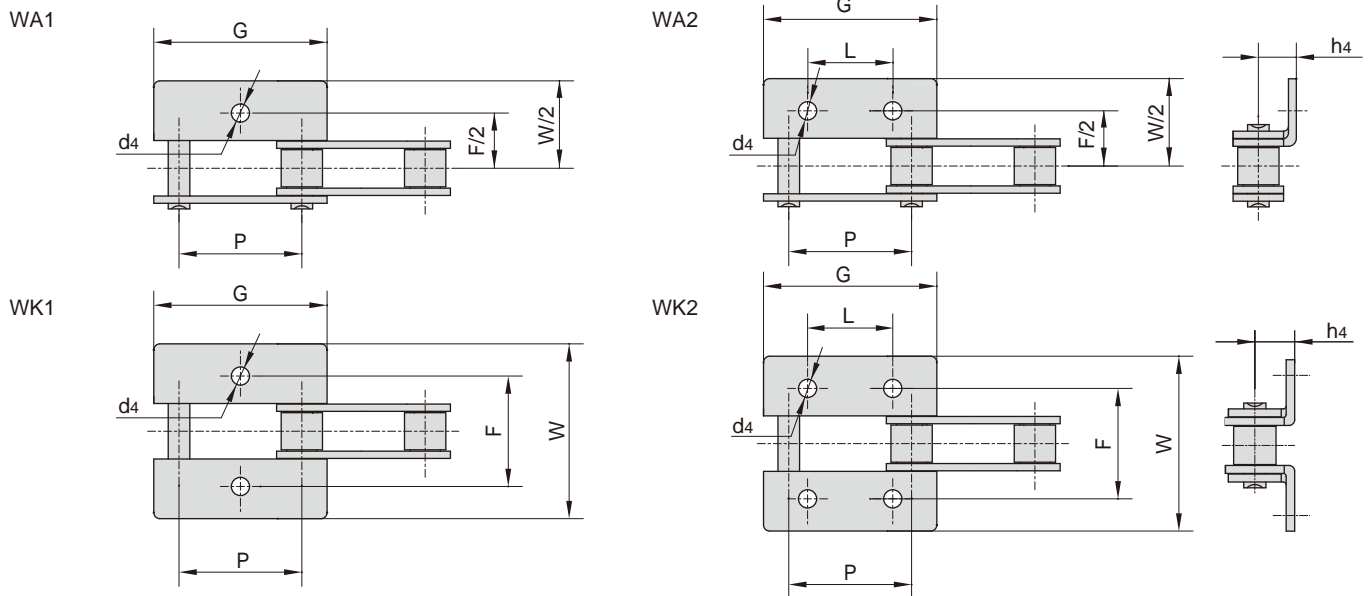
SAA2



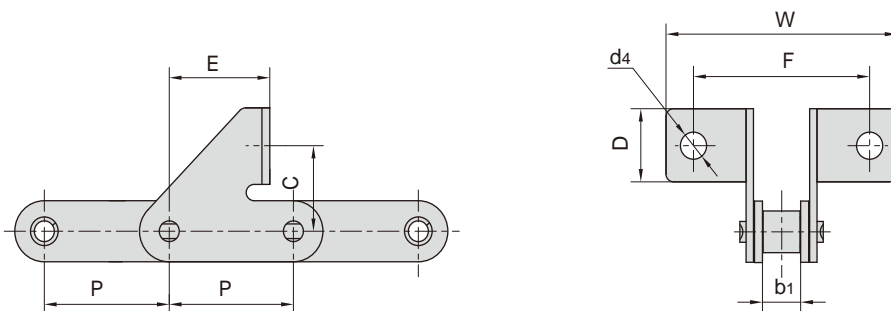
SKK2



东华链号 Donghua Chain No.	ANSI 链号 ANSI Chain No.	P	G	L	C ₁	C ₂	F	d ₄	d ₅
		mm	mm	mm	mm	mm	mm	mm	mm
C208A C208AL	C2040 C2042	25.40	19.1	9.5	11.10	13.5	20.50	3.4	5.5
C208B C208BL		25.40	23.2	12.7	11.10	13.5	20.50	4.5	5.5
C210A C210AL	C2050 C2052	31.75	23.8	11.9	14.30	15.9	25.00	5.5	6.6
C212A C212AL	C2060 C2062	38.10	28.6	14.3	17.50	19.1	32.90	5.5	9.2
C212AH C212AHL	C2060H C2062H	38.10	28.6	14.3	17.50	19.1	32.90	5.5	9.2
C216A C216AL	C2080 C2082	50.80	38.1	19.1	22.20	25.4	43.50	6.6	11.0
C216AH C216AHL	C2080H C2082H	50.80	38.1	19.1	22.20	25.4	43.50	6.6	11.0
C2040F23SAA1		25.40	19.1	-	11.15	-	19.75	-	5.4
C2060HSAA1F1		38.10	24.0	-	25.40	-	43.50	11.0	-
C2120SAA2F1		76.20	45.0	30.0	-	28.0	35.00	6.5	10.5

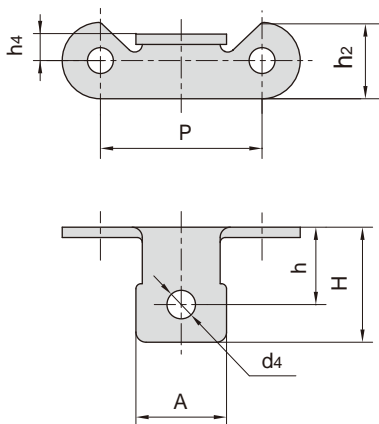


东华链号 Donghua Chain No.	P	G	L	F	W	h4	d4
	mm	mm	mm	mm	mm	mm	mm
C2040HWK1F2	25.40	37.00	-	62.00	110.00	10.65	7.00
C2040K1F2	25.40	37.00	-	62.00	110.00	9.10	7.00
C2042HF1	25.40	37.40	-	42.50	65.50	6.00	7.00
C208BK2F	25.40	37.20	12.70	28.00	42.00	8.50	5.50
C208BWA2F1	25.40	37.20	25.40	28.00	42.00	8.50	5.50
C2052WA1F2	31.75	46.80	-	76.20	95.20	7.50	7.10
C2052WA2F4	31.75	46.75	30.00	48.52	65.52	15.00	6.50
212BWK2F1	38.10	54.10	19.00	35.20	54.80	12.20	6.40
212BWK2F2	38.10	54.10	19.00	35.00	54.80	12.70	7.00
C2060HWK2F7	38.10	56.00	32.00	42.90	72.00	14.70	5.50
C2060WA2	38.10	56.10	38.10	42.90	58.50	14.70	5.50
C2062HWA1F4	38.10	55.60	-	76.20	95.30	8.70	7.10
C2062HWA1F5	38.10	56.00	-	76.00	95.00	9.00	7.30
C2062HWA2	38.10	56.10	14.30	42.90	67.80	14.70	5.50
C2062HWA2F4	38.10	55.60	38.10	76.20	95.30	8.70	7.10
C2062HWA2F7	38.10	63.50	38.10	76.20	96.00	17.50	6.35
C2062WA2F1	38.10	56.10	38.10	42.90	67.80	14.70	6.50
C2062WK2F2	38.10	56.10	38.10	43.00	68.00	14.70	7.80
216BWA2F1	50.80	71.80	25.40	58.00	80.00	17.00	8.40
C2080HWK1F1	50.80	74.80	-	55.60	87.80	19.10	10.50
C2080HWK2	50.80	74.80	50.80	55.60	87.80	19.10	6.80
C2082F12	50.80	74.80	50.80	55.60	88.00	19.10	8.40
C2082F24	50.80	74.80	56.80	55.60	87.80	19.10	6.80
C2082HF1A2	50.80	74.80	30.00	60.00	84.00	18.00	8.50
C2082HWA1F1	50.80	76.20	-	57.20	82.60	35.60	12.70
C2082WA2F4	50.80	74.80	50.80	55.60	88.00	14.00	7.00
C216ALF5	50.80	74.80	44.30	62.20	88.00	19.10	7.00
C2100HWA2	63.50	93.50	63.50	66.60	107.40	23.40	8.40
C2102HK2-M8	63.50	47.60	23.80	66.60	107.50	23.40	M8
C220ALWA2F1	63.50	93.50	50.00	97.80	127.80	15.00	13.00 × 9.00
C224AHWK2	76.20	111.90	76.20	79.30	121.40	27.80	11.00

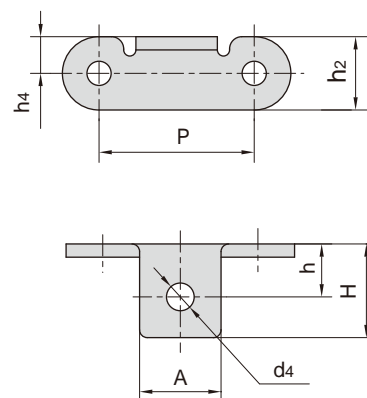


东华链号 Donghua Chain No.	P	b ₁	F	W	C	D	E	d ₄
	mm	mm	mm	mm	mm	mm	mm	mm
C2050SD	31.75	9.40	45.0	59.0	21.2	18.0	25.7	6.6
C2062H ORSDF1	38.10	12.57	52.0	67.0	30.0	22.5	31.4	6.3

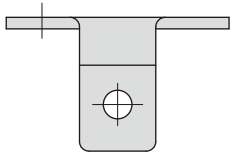
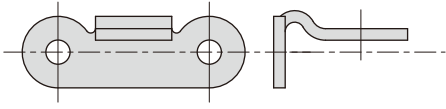
C2052A1F1



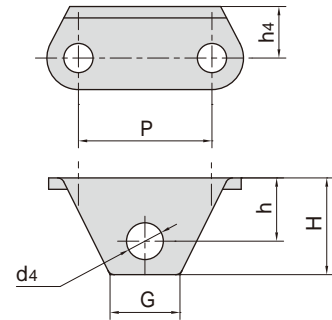
C2062HA1F4



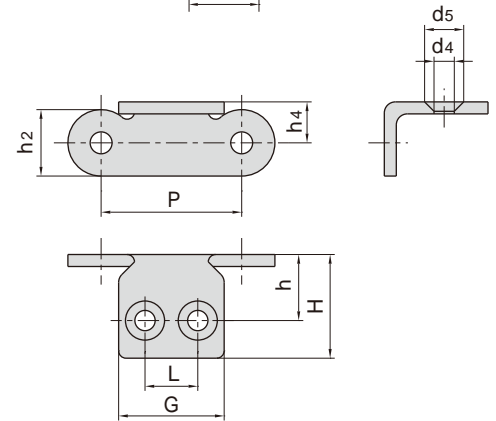
东华链号 Donghua Chain No.	P	A	h	H	h ₂	h ₄	d ₄
	mm	mm	mm	mm	mm	mm	mm
C2052A1F1	31.75	17.8	14.7	22.6	15.0	5.2	6.5
C2062HA1F4	38.10	20.0	13.0	23.0	18.0	9.0	6.8



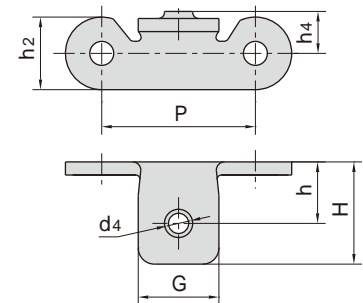
东华链号 Donghua Chain No.	P	G	h ₄	h	H	d ₄
	mm	mm	mm	mm	mm	mm
C2060HK1F31	38.10	20.30	14.70	18.10	27.600	10.50
C2060K1F37	38.10	21.40	14.70	15.00	24.200	10.50



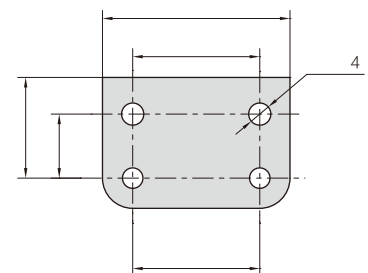
东华链号 Donghua Chain No.	P	h ₂	h	h ₄	H	L	G	d ₄	d ₅
	mm	mm	mm	mm	mm	mm	mm	mm	mm
C2062HA2F91	38.10	17.50	15.05	8.00	27.00	14.30	28.00	5.50	10.60
C220ALA2F7	63.50	30.00	31.00	15.00	46.00	30.40	52.00	9.00	-
C220ALA2F8	63.50	30.00	27.80	15.00	48.20	23.80	47.60	9.20	-

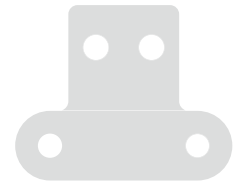


东华链号 Donghua Chain No.	P	h ₂	h ₄	h	H	G	d ₄
	mm	mm	mm	mm	mm	mm	mm
C2062HA1F29	38.10	18.00	10.40	15.30	25.40	20.00	M6
C2082HA1F25	50.80	24.00	11.00	22.68	35.18	25.00	M8

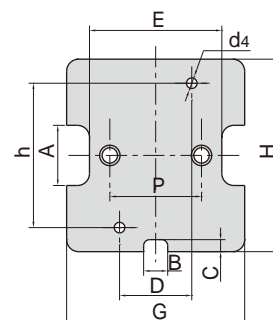


东华链号 Donghua Chain No.	P	L	G	C	F	d ₄
	mm	mm	mm	mm	mm	mm
C2050HWSA2F1	31.75	31.75	46.75	15.90	25.00	5.50

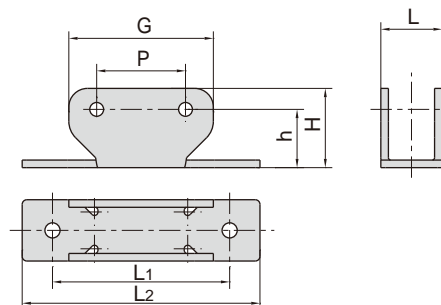




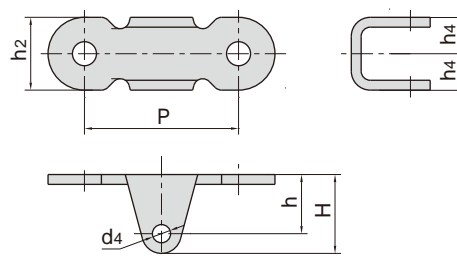
东华链号 Donghua Chain No.	P	G	h	H	A	B	C	D	E	d4
	mm	mm	mm	mm	mm	mm	mm	mm	mm	mm
C2062F82	38.10	74.00	60.00	80.00	25.00	10.00	5.00	30.00	55.00	M6



东华链号 Donghua Chain No.	P	G	h	H	L	L1	L2
	mm	mm	mm	mm	mm	mm	mm
C2062HU1F1	38.10	62.00	25.00	34.00	26.30	76.00	102.00



东华链号 Donghua Chain No.	P	h2	h4	h	H	d4
	mm	mm	mm	mm	mm	mm
C2082F1AA1-D3	50.80	24.00	12.00	19.50	26.00	6.00



东华链号 Donghua Chain No.	P	G	h2	h4	h	H	d4
	mm	mm	mm	mm	mm	mm	mm
C2082HF76	50.80	30.00	24.00	9.50	21.20	34.20	8.50

