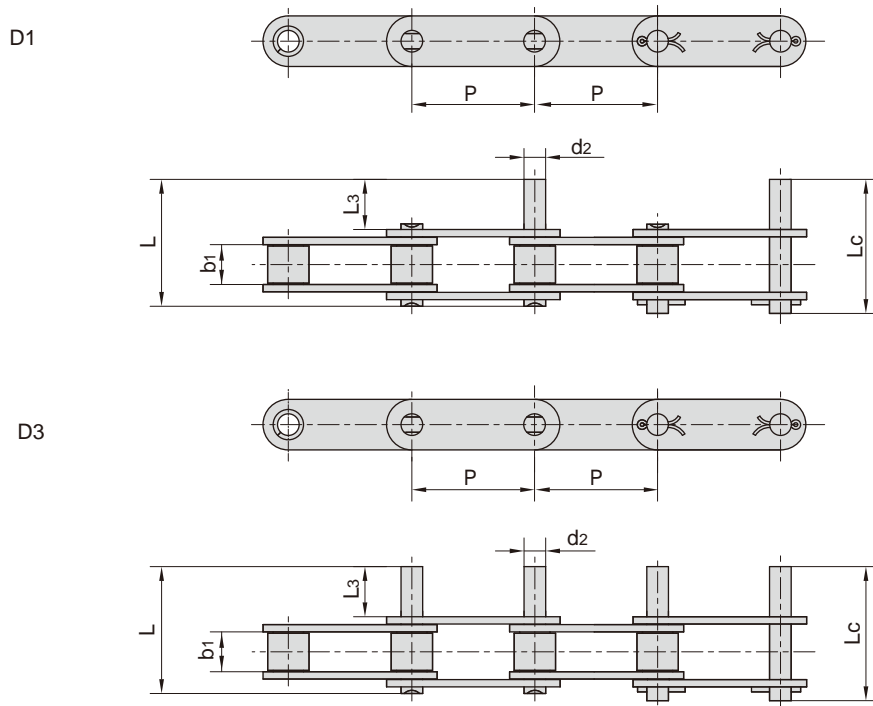
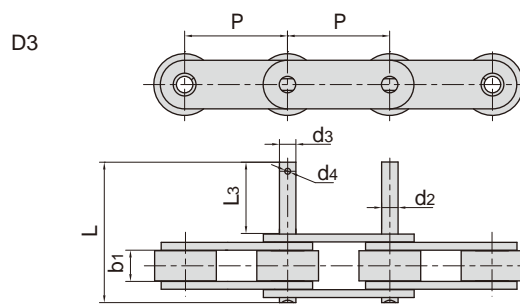
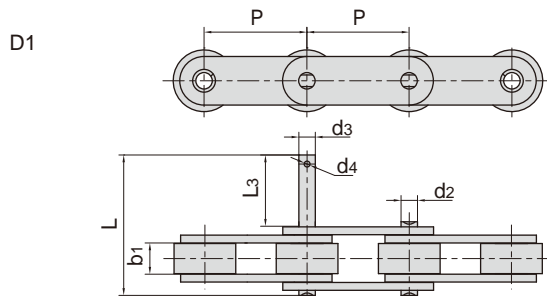


Double pitch conveyor chains with extended pins



ISO 链号 ISO Chain No.	ANSI 链号 ANSI Chain No.	P	b ₁	d ₂	L ₃	L	L _c
		mm	mm	mm	mm	mm	mm
C208A	C2040	25.40	7.85	3.96	9.5	25.1	26.2
C208AL	C2042						
C210A	C2050	31.75	9.40	5.08	11.9	31.3	33.1
C210AL	C2052						
C212A	C2060	38.10	12.57	5.94	14.3	38.6	40.6
C212AL	C2062						
C212AH	C2060H	38.10	12.57	5.94	14.3	42.0	43.8
C212AHL	C2062H						
C216A	C2080	50.80	15.75	7.92	19.1	50.3	53.3
C216AL	C2082						
C216AH	C2080H	50.80	15.75	7.92	19.1	53.5	55.0
C216AHL	C2082H						
C220A	C2100	63.50	18.90	9.53	23.8	61.8	66.1
C220AL	C2102						
C220AH	C2100H	63.50	18.90	9.53	23.8	65.0	68.3
C220AHL	C2102H						
C224AH	C2120H	76.20	25.22	11.10	28.6	79.6	83.6
C224AHL	C2122H						
C232AH	C2160H	101.60	31.75	14.27	38.1	103.0	107.8
C232AHL	C2162H						



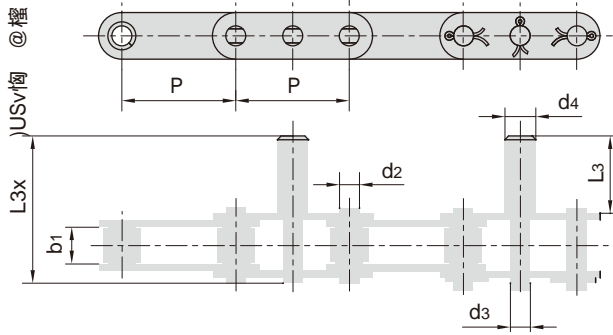
东华链号 Donghua Chain No.	P	b1	L3	L	d2	d3	
	mm	mm	mm	mm	mm	mm	
2040-D3F12	25.400	7.85	8.00				
208B-D3F17	25.400	7.75	19.40				
C2040-D1F23	25.400	7.85	37.00				
C2040-D3F13	25.400	7.85	31.75				
C2040-D3F15	25.400	7.85	20.40				
C2042-D1F20	25.400	7.85	35.00				
C208B-D3F19	25.400	7.75	15.20				
210B-D1F3	31.750	9.65	33.00				
C2052-D13F2	31.750	9.40	23.40				
C2052-D1F23	31.750	9.40	40.00				
C2052-D1F27	31.750	9.40	20.00				
C2052-D1F28	31.750	9.40	21.00				
C2052-D1F52	31.750	9.40	30.00				
C2052-D1F54	31.750	9.40	22.00				
C2052-D1F71	31.750	9.40	20.00				
C2052-D1F72	31.750	9.40	50.00				
C2052-D3F20	31.750	9.40	22.00				
C2052F56-D1SS	31.750	9.00	25.70				
C2060H-D1F57	38.100	12.57	35.00				
C2060H-D3F44	38.100	12.57	25.00				
C2060SLR-D3F55	38.100	12.57	14 .00				
C2062-D1F32	38.100	12.57	8.00# "	m8噴			
C2062-D1F40	38.100	12.57					
C2062-D1F54	38.100	12.57	50.90				
C2062-D3F31	38.100	12.57	40 " 60				
C2062H-D1F47	38.100	12.57	25.70				
C2062H-D1F58	38.100	12.57	35.00				
C2062H-D1F68	38.100	12.57	40 " 70				
C2062HF99	38.100	12.57	35.4u	m20.00			
C2062HNP-D1F59	38.100	12.57	50.00				
216B-D1F4	50.800	17.02	50.00				
C2082-D1F21	50.800	15.75	50. = 0				
C2082-D1F8	50.800	15.75	20.40 25.403				
C2082H-D1F10	50.800	15.75	25.2				
C2082H-D1F12	50.800	15.75	21.7	m15#60			
C2082H-D1F22	50.800	15.75	25.00				
C2102H-D3F5	63.500	18.90	20.00				

20.00
21.00
20%90

物1

Double pitch conveyor chains with extended pins

#7



东华链号
Donghua
Chain No.

1

d2

d4

d5

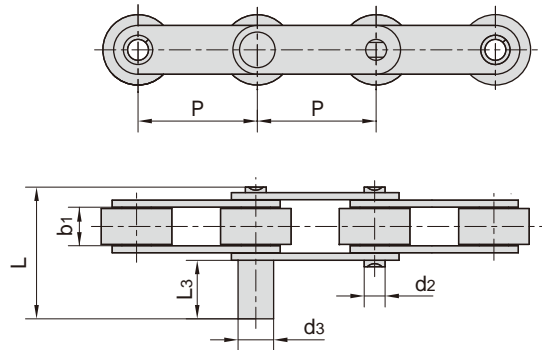
L3

L1

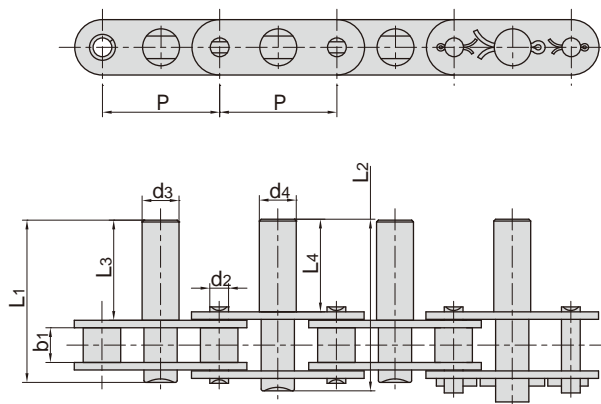
L4

L2

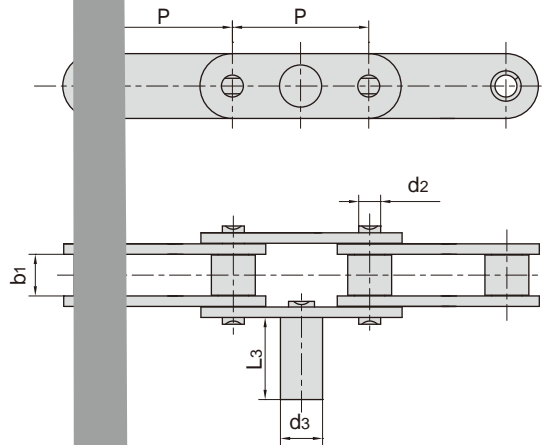
Double pitch conveyor chains with extended pins



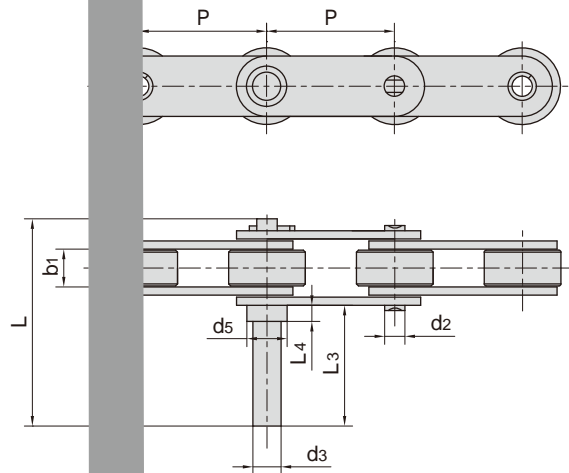
东华链号 Donghua Chain No.	P	b1	d2	d3	L3	L
	mm	mm	mm	mm	mm	mm
C2052DF1	31.75	9.40	5.08	7.50	14.15	33.6
C210AF4	31.75	9.40	5.08	11.00	34.00	53.7
C2052-D4	31.75	9.40	5.08	6.00	32.40	52.0
C2050-D5	31.75	9.40	5.08	8.00	40.00	59.7
C212AHL-D4	38.10	12.57	5.94	8.00	25.00	53.0
C2062-D6	38.10	12.57	5.94	12.00	25.00	49.7



东华链号 Donghua Chain No.	P	b1	d2	d3	d4	L3	L1	L4	L2
	mm	mm	mm	mm	mm	mm	mm	mm	mm
C2050-D5F1	31.75	9.40	5.08	10.00	10.00	43.20	60.30	41.00	62.40

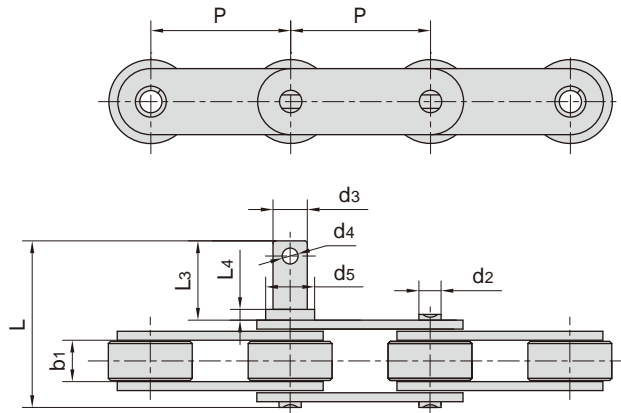


东华链号 Donghua Chain No.	P	b_1	L_3	d_2	d_3
	mm	mm	mm	mm	mm
C2050-D5F25	31.75	9.40	19.00	5.08	10.00
C2050F44	31.75	9.40	19.00	5.08	9.75

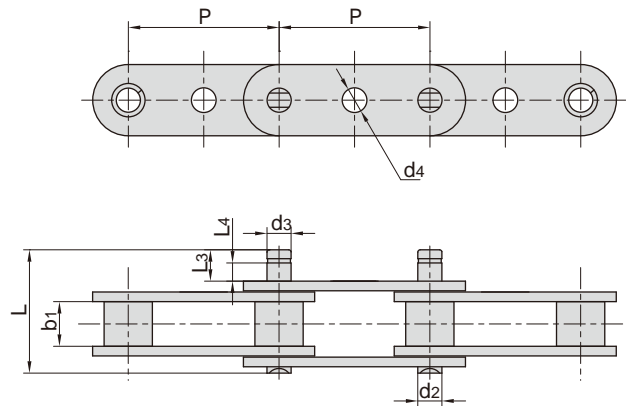


东华链号 Donghua Chain No.	P	b_1	L_3	L_4	L	d_2	d_3	d_5
	mm	mm	mm	mm	mm	mm	mm	mm
C2052-D1F29	31.75	9.40	33.00	3.00	55.00	5.08	9.00	13.00
C2052-D3F24	31.75	9.40	33.00	3.00	55.00	5.08	9.00	13.00
C2052-D3F55	31.75	9.40	34.00	4.00	56.00	5.08	7.00	10.00

Double pitch conveyor chains with extended pins



东华链号 Donghua Chain No.	P	b1	L3	L4	L	d2	d3	d4	d5
	mm	mm	mm	mm	mm	mm	mm	mm	mm
C2052-D1F15	31.75	9.40	16.20	2.20	35.90	5.08	7.00	-	10.00
C2052-PF1-D3F30	31.75	9.40	14.20	2.00	33.90	5.08	5.08	-	8.00
C2062-D1F43	38.10	12.57	40.60	29.10	65.00	5.94	M5	-	5.94
C2062-D8	38.10	12.57	29.00	7.00	53.40	5.94	7.00	-	14.00
C2062H-D1F45	38.10	12.57	27.70	6.00	55.60	5.94	7.90	2.00	12.00
C2062H-D1F50	38.10	12.57	29.00	7.00	56.80	5.94	7.00	-	14.00
C2062H-D1F58	38.10	12.57	29.20	12.20	57.00	5.94	9.00	-	12.00
C2082HAA1F2-D3F2	50.80	15.75	61.50	6.00	96.50	7.92	12.00	-	15.00
C2082H-D3F19	50.80	15.75	31.00	11.00	65.50	7.92	11.90	-	15.88
C220AHSLR-D1F3	63.50	18.90	28.00	3.50	69.50	9.53	11.00	-	15.00



东华链号 Donghua Chain No.	P	b1	L3	L4	L	d2	d3	d4
	mm	mm	mm	mm	mm	mm	mm	mm
C2050-D1F62	31.75	9.40	8.00	5.00	27.40	5.08	5.08	5.20
C2050-D1F63	31.75	9.40	5.00	2.00	24.40	5.08	5.08	5.20
C2050-D1F64	31.75	9.40	7.00	7.00	24.40	5.08	8.00	-
C2060SLR-D3F56	38.10	12.57	18.20	15.00	44.50	5.94	5.94	-