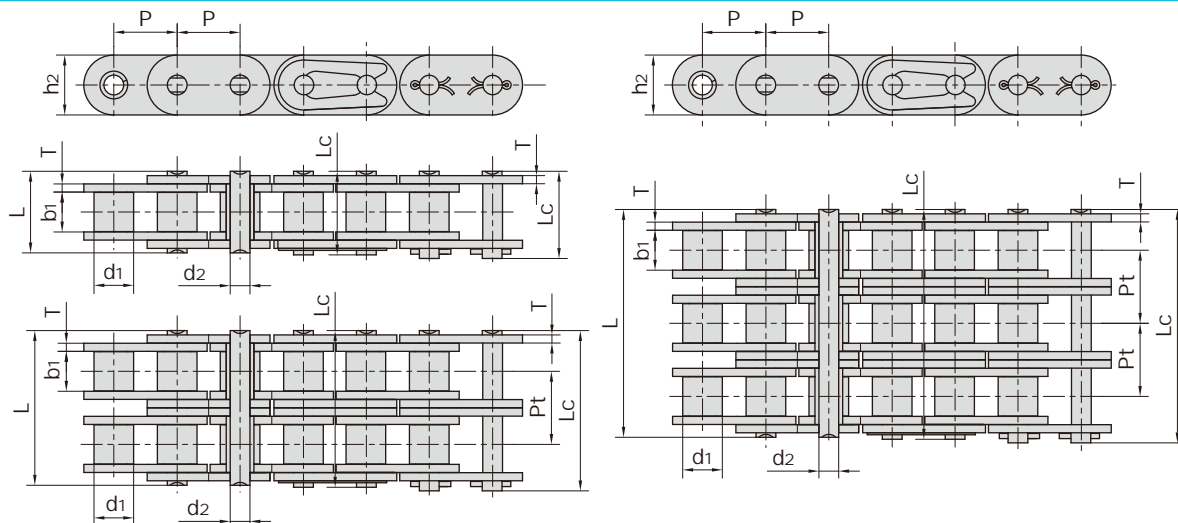


"2(D, IJ+ - \$ } J+ "

3PMMFS DIBJOT XJUI TUSBHIU TJEF QMBUFT " TFSJFT



Donghua Chain No.	Pitch	Roller diameter	Width between inner plates	Pin diameter	Pin length		Inner plate depth	Plate thickness	Transverse pitch	Tensile strength	Average tensile strength	Weight per meter	
	P	d1 max	b1 min	d2 max	L max	Lc max	h2 max	T max	Pt	Q min	Q0	q	
	mm	mm	mm	mm	mm	mm	mm	mm	mm	kN/lbf	kN	kg/m	
*C35-1	9.525	5.08	4.77	3.58	13.3	14.3	9.00	1.30	-	7.9/1795	10.8	0.41	
C08A-1	C40-1	12.700	7.95	7.85	3.96	16.6	18.8	12.00	1.50	-	14.1/3273	17.5	0.73
C10A-1	C50-1	15.875	10.16	9.40	5.08	20.7	23.3	15.09	2.03	-	22.2/5045	29.4	1.23
C12A-1	C60-1	19.050	11.91	12.57	5.94	25.9	28.3	18.00/18.20	2.42	-	31.8/7227	41.5	1.81/1.83
C16A-1	C80-1	25.400	15.88	15.75	7.92	32.7	36.5	24.00	3.25	-	56.7/12886	69.4	3.09
C20A-1	C100-1	31.750	19.05	18.90	9.53	40.4	44.7	30.00	4.00	-	88.5/20114	109.2	4.56
C24A-1	C120-1	38.100	22.23	25.22	11.10	50.3	54.3	35.70	4.80	-	127.0/28864	156.3	6.86
C28A-1	C140-1	44.450	25.40	25.22	12.70	54.4	59.0	41.00	5.60	-	172.4/39182	212.0	8.49
C32A-1	C160-1	50.800	28.58	31.55	14.27	64.8	69.6	47.80	6.40	-	226.8/51545	278.9	11.50
C08A-2	C40-2	12.700	7.95	7.85	3.96	31.0	33.2	12.00	1.50	14.38	28.2/6409	35.9	1.43
C10A-2	C50-2	15.875	10.16	9.40	5.08	38.9	41.4	15.09	2.03	18.11	44.4/10091	58.1	2.42
C12A-2	C60-2	19.050	11.91	12.57	5.94	48.8	51.1	18.00/18.20	2.42	22.78	63.6/14455	82.1	3.58/3.62
C16A-2	C80-2	25.400	15.88	15.75	7.92	62.7	65.8	24.00	3.25	29.29	113.4/25773	141.8	6.12
C20A-2	C100-2	31.750	19.05	18.90	9.53	76.4	80.5	30.00	4.00	35.76	177.0/40227	219.4	9.08
C24A-2	C120-2	38.100	22.23	25.22	11.10	95.8	99.7	35.70	4.80	45.44	254.0/57727	314.9	13.60
C28A-2	C140-2	44.450	25.40	25.22	12.70	103.3	107.9	41.00	5.60	48.87	344.8/78364	427.5	16.86
C32A-2	C160-2	50.800	28.58	31.55	14.27	123.3	128.1	47.80	6.40	58.55	453.6/103091	562.4	22.90
C08A-3	C40-3	12.700	7.95	7.85	3.96	45.4	47.6	12.00	1.50	14.38	42.3/9614	50.0	2.14
C10A-3	C50-3	15.875	10.16	9.40	5.08	57.0	59.5	15.09	2.03	18.11	66.6/15136	77.8	3.62
C12A-3	C60-3	19.050	11.91	12.57	5.94	71.5	73.9	18.00/18.20	2.42	22.78	95.4/21682	111.1	5.36/5.41
C16A-3	C80-3	25.400	15.88	15.75	7.92	91.7	95.1	24.00	3.25	29.29	170.1/38659	198.4	9.10
C20A-3	C100-3	31.750	19.05	18.90	9.53	112.2	116.3	30.00	4.00	35.76	265.5/60341	309.6	13.60
C24A-3	C120-3	38.100	22.23	25.22	11.10	141.4	145.2	35.70	4.80	45.44	381.0/86591	437.2	20.43
C28A-3	C140-3	44.450	25.40	25.22	12.70	152.2	156.8	41.00	5.60	48.87	517.2/117545	593.3	25.23
C32A-3	C160-3	50.800	28.58	31.55	14.27	181.8	186.6	47.80	6.40	58.55	680.4/154636	780.6	34.19

*Bush chain: d in the table indicates the external diameter of the bush.